



MH3022

Material Handler

Technical Specifications

Configurations and features may vary by region. Please consult your Cat® dealer for availability in your area.

Table of Contents

Specifications	2
Engine	2
Transmission	2
Service Refill Capacities	2
Swing Mechanism	2
Undercarriage	2
Operating Weights	2
Hydraulic System	3
Tires	3
Emissions and Safety	3
Standards	3
Sound Performance	3
Air Conditioning System	3
Weights	4
Dimensions:	
MH Boom	5
Undercarriage Dimensions	6
VA Boom	7
One-Piece Boom	7
Working Ranges:	
MH Boom	8
VA Boom	10
One-Piece Boom	11
Lift Capacities	12
Attachments Offering Guide:	
Europe	23
North America	30
Australia/New Zealand	33
Standard and Optional Equipment	34
Dealer Installed Kit and Attachments	36
Cab Options	37

MH3022 Material Handler Specifications

Engine

Engine Model	Cat® C4.4	
Net Power – ISO 9249	108 kW	145 hp
Net Power – ISO 9249 (metric)	147 hp (PS)	
Engine Power – ISO 14396	110 kW	148 hp
Engine Power – ISO 14396 (metric)	150 hp (PS)	
Bore	105 mm	4.1 in
Stroke	127 mm	5 in
Displacement	4.4 L	268.5 in ³
Number of Cylinders	4	
Biodiesel capability	Up to B20 ⁽¹⁾	

- Meets U.S. EPA Tier 4 Final and EU Stage V emission standards.
- Recommended for use up to 3000 m (9,843 ft) altitude with engine power derate above 3000 m (9,843 ft).
- Advertised power is tested per the specified standard in effect at the time of manufacture.
- Net power advertised is the power available at the flywheel when engine is equipped with fan, air cleaner, CEM exhaust gas aftertreatment, alternator, and cooling fan running at intermediate speed.
- Engine speed at 2,000 rpm.

⁽¹⁾Cat engines are compatible with the following renewable, alternative, and bio-fuels* with lower greenhouse gas emission impact:

- ✓ Up to B20 biodiesel (FAME)**
- ✓ Up to 100% HVO and GTL renewable fuels

*Refer to guidelines for successful application. Please consult your Cat dealer or “Caterpillar Machine Fluids Recommendations” (SEBU6250) for details.

**For use of higher blends, consult your Cat dealer.

Transmission

Forward/Reverse		
1st Gear	8 km/h	5.0 mph
2nd Gear (without steering wheel)	15 km/h	9.3 mph
2nd Gear	20 km/h	12.4 mph
Creeper Speed		
1st Gear	6 km/h	3.4 mph
2nd Gear	15 km/h	9.3 mph
Drawbar Pull		
Maximum Gradeability (23 500 kg/51,800 lb)	65%	

Service Refill Capacities

Fuel Tank Capacity	350 L	92.5 gal
Cooling System	36 L	9.5 gal
Engine Oil	13 L	3.4 gal
Final Drive (each)	2.5 L	0.7 gal
Hydraulic System (including tank)	345 L	91.1 gal
Hydraulic Tank	155 L	40.9 gal
Diesel Exhaust Fluid (DEF) Tank	30 L	7.9 gal
Rear Axle Differential	14 L	3.7 gal
Steering Axle Differential	10.5 L	2.8 gal
Powershift Transmission	2.5 L	0.7 gal

Swing Mechanism

Swing Speed	8.2 rpm	
Maximum Swing Torque	54 kN·m	39,533 lbf-ft

Undercarriage

Ground Clearance	330 mm	13 in
Maximum Steering Angle	35°	
Oscillation Axle Angle	5°	
Minimum Turning Radius		
Outside of Tires	6400 mm	21 ft

Operating Weights¹

Minimum	21 200 kg	46,750 lb
Maximum	24 500 kg	54,000 lb
Typical Configurations:		
VA Boom ²	22 900 kg	50,500 lb
Waste Handling ³	23 000 kg	50,700 lb
Scrap Handling ⁴	23 000 kg	50,700 lb

¹ Operating weight includes full fuel tank, operator, 1400 kg (3,100 lb) work tool. Weight varies depending on configuration.

² VA Boom configuration includes 5.26 m (17'3") VA boom, 2.9 m (9'6") stick, 1400 kg (3,100 lb) work tool, and air tires.

³ Waste Handling configuration includes 6.4 (21'0") MH boom, 4.3 m (14'1") MH straight stick, 1400 kg (3,100 lb) work tool, and solid tires.

⁴ Scrap Handling configuration includes 5.35 m (17'7") MH boom, 4.5 m (14'9") MH drop nose stick, 1400 kg (3,100 lb) work tool, FOGS, 15 kW (20 hp) generator, and solid tires.

MH3022 Material Handler Specifications

Hydraulic System

Maximum Pressure – Implement Circuit		
Normal	35 000 kPa	5,076 psi
Heavy Lift	37 000 kPa	5,366 psi
Travel Circuit	35 000 kPa	5,076 psi
Maximum Pressure – Auxiliary Circuit		
High Pressure	35 000 kPa	5,076 psi
Medium Pressure	19 500 kPa	2,466 psi
Maximum Pressure – Swing Mechanism	36 500 kPa	5,294 psi
Maximum Flow – Implements	306 L/min	81 gal/min
Maximum Flow – Travel Circuit	220 L/min	58 gal/min
Maximum Flow – Auxiliary Circuit		
High Pressure	250 L/min	66 gal/min
Medium Pressure	55 L/min	14.5 gal/min
Maximum Flow – Swing Mechanism	95 L/min	25.1 gal/min
Boom Cylinder (MH) – Bore	130 mm	5 in
Boom Cylinder (MH) – Stroke	983 mm	39 in
Stick Cylinder (MH) – Bore	110 mm	4 in
Stick Cylinder (MH) – Stroke	1,226 mm	48 in
Boom Cylinder (VA) – Bore	130 mm	5 in
Boom Cylinder (VA) – Stroke	906 mm	36 in
VAB Cylinder – Bore	160 mm	6 in
VAB Cylinder – Stroke	731 mm	29 in
Boom Cylinder (one-piece) – Bore	130 mm	5 in
Boom Cylinder (one-piece) – Stroke	906 mm	36 in
Stick Cylinder – Bore	130 mm	5 in
Stick Cylinder – Stroke	1205 mm	47 in
Bucket Cylinder – Bore	110 mm	4 in
Bucket Cylinder – Stroke	1077 mm	42 in

Tires

Standard	10.00-20 (dual solid rubber)
Optional	10.00-20 (dual pneumatic)

Emissions and Safety

Engine Emissions	U.S. EPA Tier 4 Final and EU Stage V	
Diesel Exhaust Fluid	Must meet ISO 22241	
Fluids (optional)		
Cat Bio HYDO™ Advanced	Readily biodegradable; EU Flower eco-label certified	
Biodiesel up to B20	Meets EN 14214 or ASTM D6751 with EN590 or ASTM D975 Standard Mineral diesel fuels	
Vibration Levels		
Maximum Hand/Arm		
ISO 5349-2001	<2.5 m/s ²	<8.2 ft/s ²
Maximum Whole Body		
ISO/TR 25398:2006	<0.5 m/s ²	<1.6 ft/s ²
Seat Transmissibility Factor		
ISO 7096:2000-spectral class EM5	<0.7	

Standards

Brakes	ISO 3450:2011
Cab/TOPS	EN474-5:2006 + A3:2013
FOGS (optional)	ISO 10262:1998
Cab/Sound Levels	Meets appropriate standards as listed below

Sound Performance

Exterior Sound (ISO 6395:2008)	99 dB(A)
Operator Sound (ISO 6396:2008)	70 dB(A)

- Exterior Sound – The labeled exterior sound power level is measured according to the test procedures specified in ISO 6395:2008. The machine sound power level meets the criteria that are specified in the applicable regional regulations, e.g. 2000/14/EC as amended by 2005/88/EC.
- Internal Sound – The inside cab sound level is measured according to the procedures specified in ISO 6396:2008, for a cab offered by Caterpillar, when properly installed and maintained and tested with the door and windows closed.
- Hearing protection may be needed when operating with an open operator station and cab (when not properly maintained for doors/windows open) for extended periods or in noisy environment(s).
- Blue Angel certified

Air Conditioning System

The air conditioning system on this machine contains the fluorinated greenhouse gas refrigerant R134a (Global Warming Potential = 1430). The system contains 1.05 kg of refrigerant, which has a CO₂ equivalent of 1.502 metric tonnes.

MH3022 Material Handler Specifications

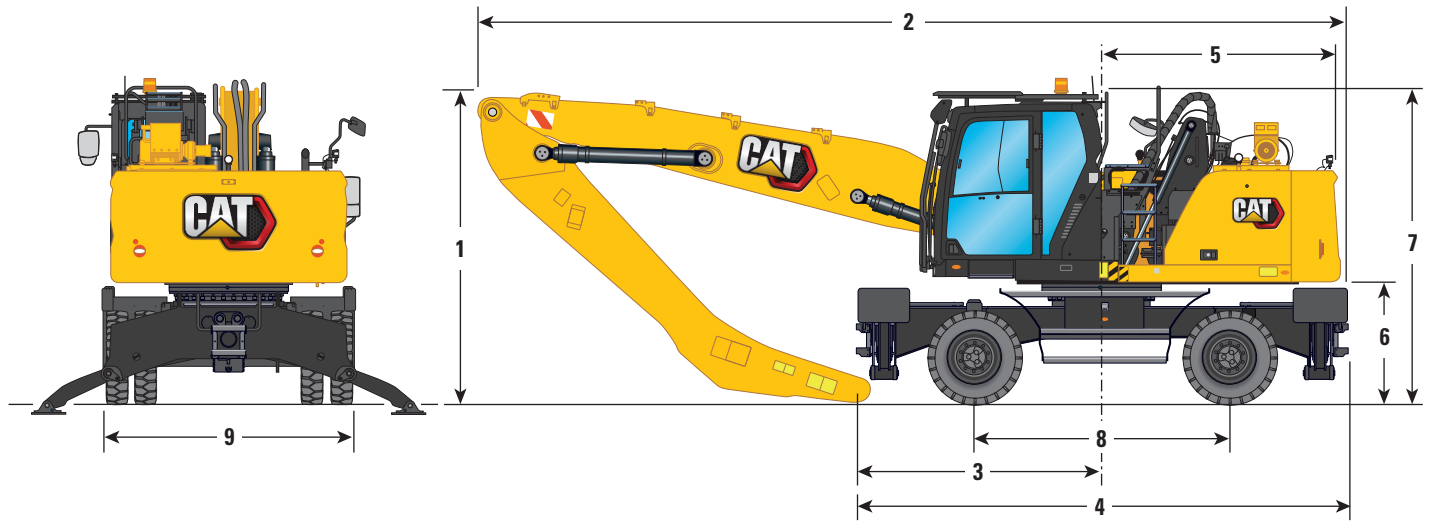
Weights

	kg	lb
Booms (including boom and stick cylinders, pins and standard hydraulic lines):		
5.35 m (17'7") MH Boom	2350	5,200
6.4 m (21'0") MH Boom	2550	5,600
5.65 m (18'6") One-Piece Boom	2300	5,050
5.26 m (17'3") VA Boom	2750	6,050
Sticks (including bucket cylinder and linkage (if equipped), pins and standard hydraulic lines):		
4.0 m (13'1") MH Drop Nose Stick	1000	2,200
4.5 m (14'9") MH Drop Nose Stick	1050	2,300
5.0 m (16'5") MH Drop Nose Stick	1150	2,550
4.3 m (14'1") MH Straight Stick	1400	3,100
2.5 m (8'2") Straight Stick	1000	2,200
2.9 m (9'6") Straight Stick	1050	2,300
Counterweight:		
Standard	3700	8,160
Undercarriage (including axles and steps):		
2.55 m (8'4") MH Undercarriage	5100	11,250
2.55 m (8'4") MH Undercarriage with Push Blade	5550	12,250
Tires:		
Air Tires (10.00-20 dual)	800	1,750
Solid Tires (10.00-20 dual)	1800	3,950
Work Tools (including mounting bracket):		
Waste Handling Grapple G318 (0.8 m ³ , 1.00 yd ³)	1650	3,650
Orange Peel Grapple GSH420S (0.6 m ³ , 0.75 yd ³)	1250	2,750
Orange Peel Grapple GSH520S (0.6 m ³ , 0.75 yd ³)	1500	3,300
Orange Peel Grapple GSV520S (0.6 m ³ , 0.75 yd ³)	1350	3,000
Transfer Clamshell Grapple CTV15 (1 m ³ , 1.25 yd ³)	1400	3,100
Pin-on Bucket	700	1,550
CW Bucket	700	1,550
Quick Couplers:		
CW Dedicated QC	250	550
Pin Grabber QC	400	900
Other:		
15 kW (20 hp) Generator	400	900
Cab Front and Top Guard (FOGS)	150	350

MH3022 Material Handler Specifications

Dimensions

All dimensions are approximate and may vary depending on bucket selection. Values are with 10.00-20 solid tires.

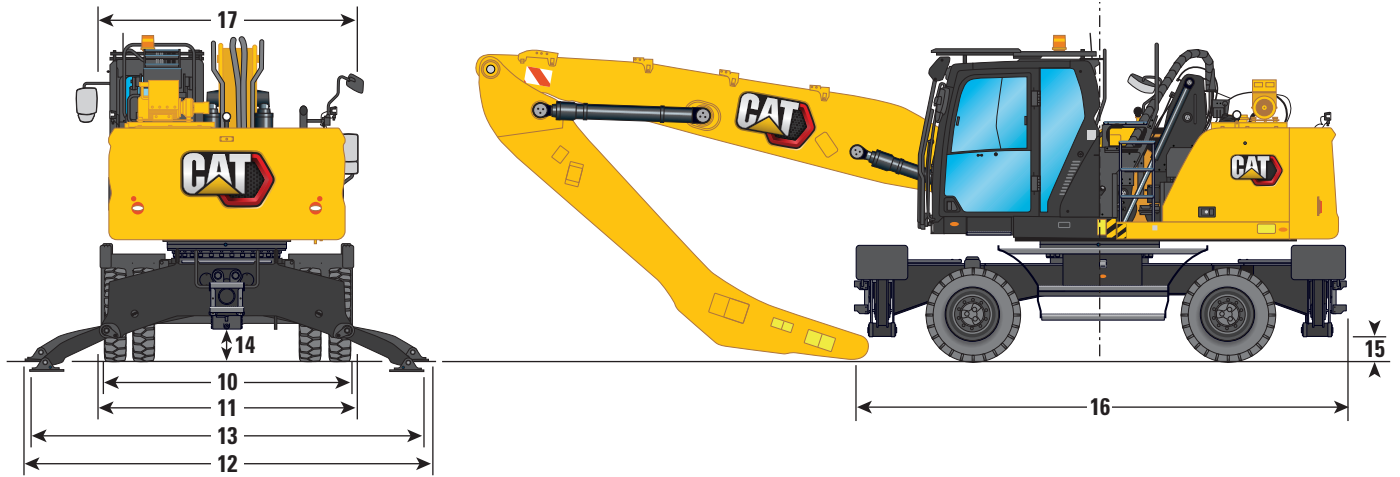


Boom Options	MH Boom 5.35 m (17'7")		MH Boom 6.4 m (21'0")				
	Drop Nose 4.0 m (13'1")	4.5 m (14'9")	Straight 4.3 m (14'1")	4.0 m (13'1")	Drop Nose 4.5 m (14'9")	5.0 m (16'5")	Straight 4.3 m (14'1")
1 Shipping Height with Falling Object Guard (with walkway handrail lowered, add 70 mm [2.8 in] to height if not lowered)	3350 mm (11'0")	3350 mm (11'0")	3350 mm (11'0")	3350 mm (11'0")	3350 mm (11'0")	3350 mm (11'0")	3350 mm (11'0")
2 Shipping Length							
2.55 m (8'4") MH Undercarriage	8350 mm (27'5")	8300 mm (27'3")	8300 mm (27'3")	9450 mm (31'0")	9400 mm (30'10")	9400 mm (30'10")	9400 mm (30'10")
2.55 m (8'4") MH Undercarriage with Push Blade	8650 mm (28'5")	8600 mm (28'3")	8600 mm (28'3")	9450 mm (31'0")	9400 mm (30'10")	9700 mm (31'10")	9400 mm (30'10")
3 Support Point	2430 mm (8'0")	1790 mm (5'10")	1890 mm (6'2")	3460 mm (11'4")	2830 mm (9'3")	2240 mm (7'4")	2930 mm (9'7")
4 Machine Length							
2.55 m (8'4") MH Undercarriage	4950 mm (16'3")	4950 mm (16'3")	4950 mm (16'3")	4950 mm (16'3")	4950 mm (16'3")	4950 mm (16'3")	4950 mm (16'3")
2.55 m (8'4") MH Undercarriage with Push Blade	5390 mm (17'8")	5390 mm (17'8")	5390 mm (17'8")	5390 mm (17'8")	5390 mm (17'8")	5390 mm (17'8")	5390 mm (17'8")
5 Tail Swing Radius	2600 mm (8'6")	2600 mm (8'6")	2600 mm (8'6")	2600 mm (8'6")	2600 mm (8'6")	2600 mm (8'6")	2600 mm (8'6")
6 Counterweight Clearance	1300 mm (4'3")	1300 mm (4'3")	1300 mm (4'3")	1300 mm (4'3")	1300 mm (4'3")	1300 mm (4'3")	1300 mm (4'3")
7 Cab Height							
Cab Lowered – without Falling Object Guard	3350 mm (11'0")	3350 mm (11'0")	3350 mm (11'0")	3350 mm (11'0")	3350 mm (11'0")	3350 mm (11'0")	3350 mm (11'0")
Cab Lowered – with Roof Wiper Guard	3470 mm (11'5")	3470 mm (11'5")	3470 mm (11'5")	3470 mm (11'5")	3470 mm (11'5")	3470 mm (11'5")	3470 mm (11'5")
Cab Lowered – with Falling Object Guard	3350 mm (11'0")	3350 mm (11'0")	3350 mm (11'0")	3350 mm (11'0")	3350 mm (11'0")	3350 mm (11'0")	3350 mm (11'0")
Cab Raised – without Falling Object Guard	5750 mm (18'10")	5750 mm (18'10")	5750 mm (18'10")	5750 mm (18'10")	5750 mm (18'10")	5750 mm (18'10")	5750 mm (18'10")
Cab Raised – with Falling Object Guard	5750 mm (18'10")	5750 mm (18'10")	5750 mm (18'10")	5750 mm (18'10")	5750 mm (18'10")	5750 mm (18'10")	5750 mm (18'10")
Cab Raised – with Roof Wiper Guard	5870 mm (19'3")	5870 mm (19'3")	5870 mm (19'3")	5870 mm (19'3")	5870 mm (19'3")	5870 mm (19'3")	5870 mm (19'3")
8 Wheel Base	2600 mm (8'6")	2600 mm (8'6")	2600 mm (8'6")	2600 mm (8'6")	2600 mm (8'6")	2600 mm (8'6")	2600 mm (8'6")
9 Shipping Width	2540 mm (8'4")	2540 mm (8'4")	2540 mm (8'4")	2540 mm (8'4")	2540 mm (8'4")	2540 mm (8'4")	2540 mm (8'4")

MH3022 Material Handler Specifications

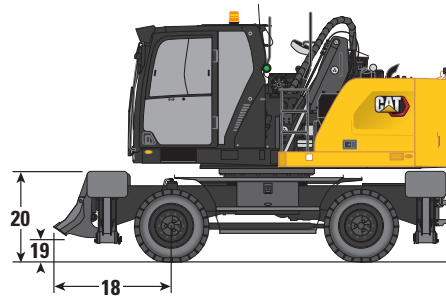
Undercarriage Dimensions

All dimensions are approximate and may vary depending on bucket selection. Values are with 10.00-20 solid tires.



Undercarriage Width

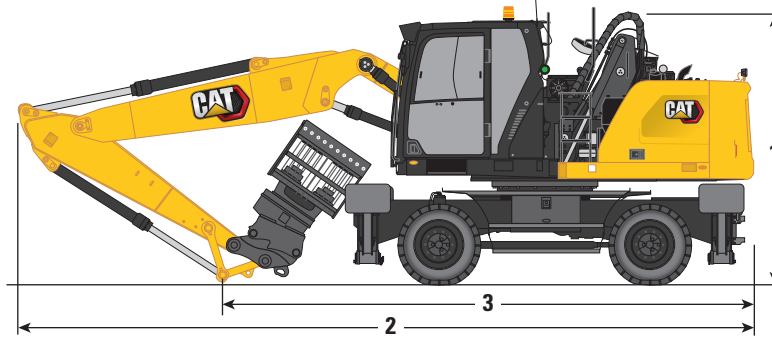
10 Outside Tires	2480 mm (8'2")
11 With Outriggers Up	2540 mm (8'4")
12 With Outriggers on Ground	4130 mm (13'7")
13 With Outriggers Fully Down	4060 mm (13'4")
Maximum Outrigger Depth	90 mm (0'4")
Clearance to Ground	
14 Axle Clearance	330 mm (1'1")
15 Outrigger Clearance	240 mm (0'9")
16 Undercarriage Length	
Without Push Blade	4900 mm (16'1")
With Push Blade	5365 mm (17'7")
17 Upperframe Width Including Handrails	2540 mm (8'4")
Push Blade – 2.55 m (8'4") MH Undercarriage	
18 Front Axle to Blade (end)	1950 mm (6'5")
19 Clearance to Ground	310 mm (1'0")
20 Height	
Width	2540 mm (8'4")



MH3022 Material Handler Specifications

Dimensions

All dimensions are approximate and may vary depending on bucket selection. Values are with 10.00-20 solid tires.

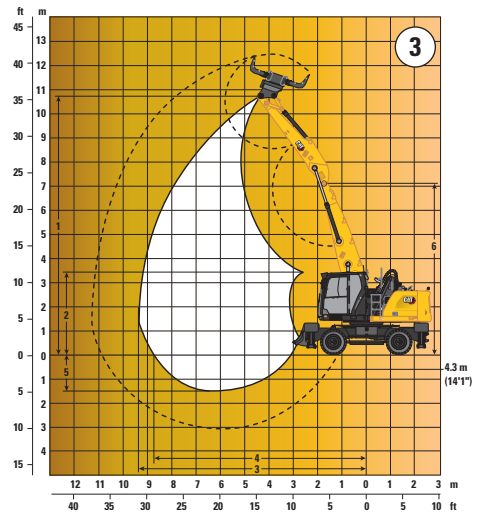
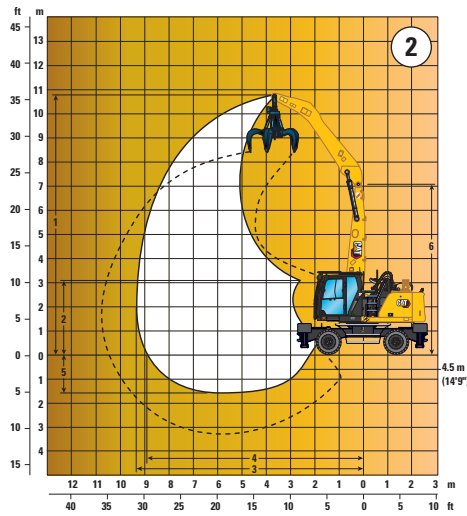
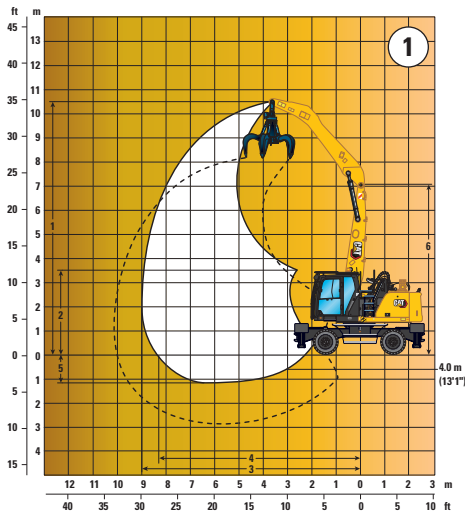


Boom Options	VA Boom 5.26 m (17'3")		One-Piece Boom 5.65 m (18'6")	
Stick Options	Straight		Straight	
	2.5 m (8'2")	2.9 m (9'6")	2.5 m (8'2")	2.9 m (9'6")
1 Shipping Height with Falling Object Guard (highest point between boom and cab)	3350 mm (11'0")	3480 mm (11'5")	3350 mm (11'0")	3350 mm (11'0")
2 Shipping Length	8970 mm (29'5")	8940 mm (29'4")	9370 mm (30'9")	9360 mm (30'9")
3 Support Point	3580 mm (11'9")	3420 mm (11'3")	3820 mm (12'6")	3610 mm (11'10")

MH3022 Material Handler Specifications

Working Ranges

All dimensions are approximate and may vary depending on bucket selection.



Boom Options

MH Boom 5.35 m (17'7")

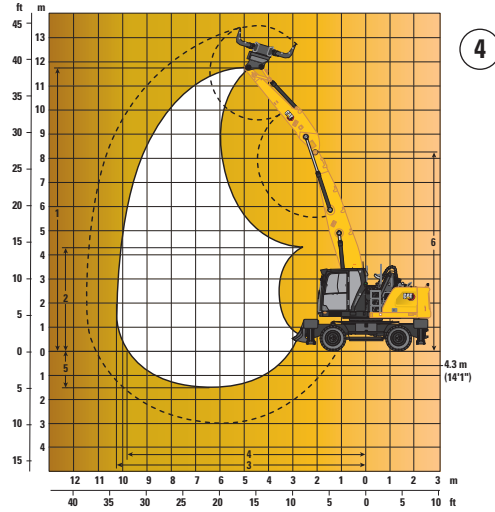
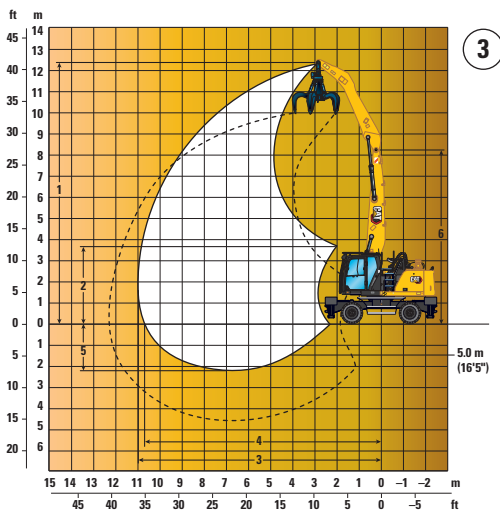
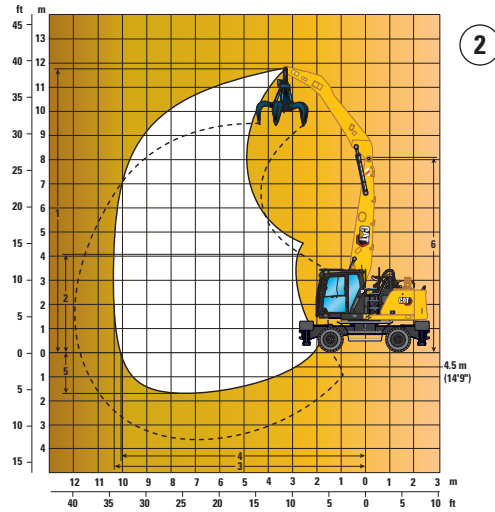
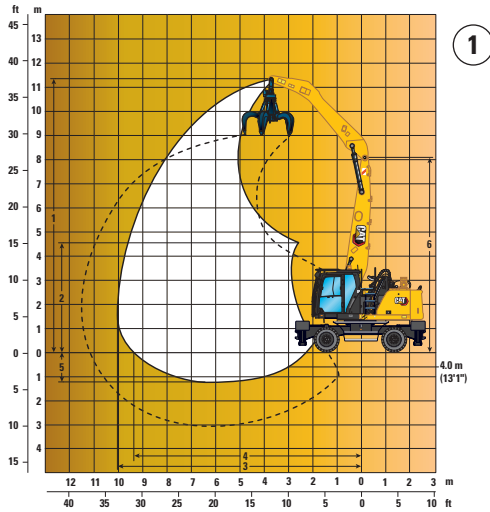
Stick Options	①	②	③
	4.0 m (13'1")	Drop Nose 4.5 m (14'9")	Straight 4.3 m (14'1")
1 Maximum Height	10 510 mm (34'6")	10 870 mm (35'8")	10 760 mm (35'4")
2 Minimum Dump Height	3580 mm (11'9")	3090 mm (10'2")	3310 mm (10'10")
3 Maximum Reach	9000 mm (29'6")	9420 mm (30'11")	9280 mm (30'5")
4 Maximum Reach at Ground Line	8270 mm (27'2")	8940 mm (29'4")	8680 mm (28'6")
5 Maximum Depth	1160 mm (3'10")	1660 mm (5'5")	1460 mm (4'9")
6 Maximum Boom Pin Height	7120 mm (23'4")	7120 mm (23'4")	7120 mm (23'4")

All dimensions refer to stick nose pin, with solid tires 10.00-20.
These dimensions are independent from the undercarriage type.

MH3022 Material Handler Specifications

Working Ranges

All dimensions are approximate and may vary depending on bucket selection.



Boom Options

MH Boom 6.4 m (21'0")

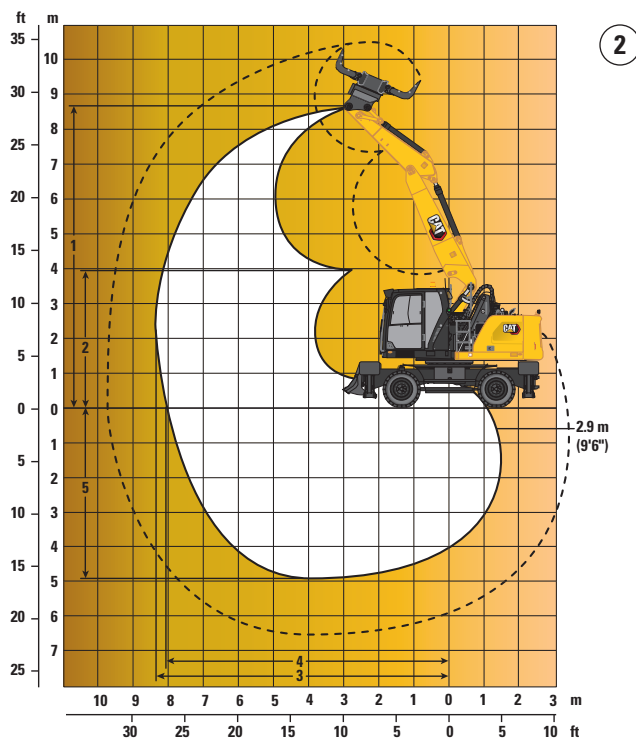
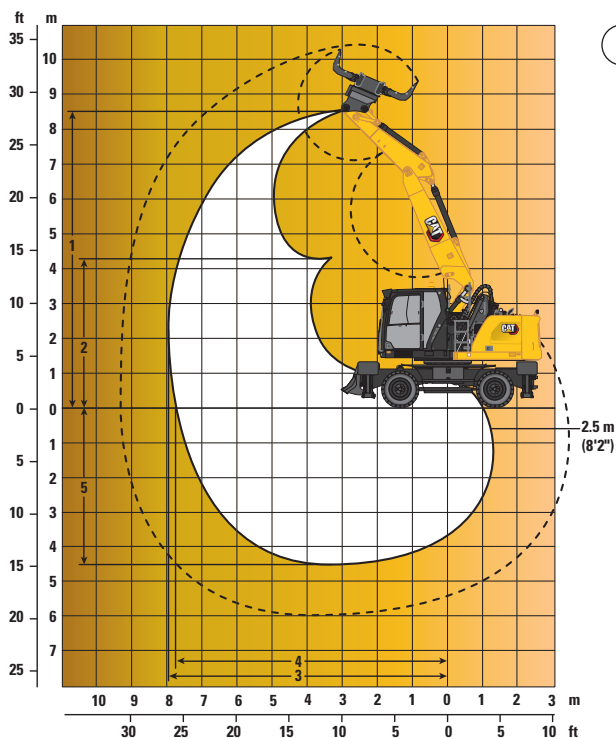
Stick Options	1	2	3	4
	4.0 m (13'1")	Drop Nose 4.5 m (14'9")	5.0 m (16'5")	Straight 4.3 m (14'1")
1 Maximum Height	11 470 mm (37'8")	11 810 mm (38'9")	12 390 mm (40'8")	11 710 mm (38'5")
2 Minimum Dump Height	4570 mm (15'0")	4070 mm (13'4")	3730 mm (12'3")	4290 mm (14'1")
3 Maximum Reach	10 010 mm (32'10")	10 420 mm (34'2")	11 000 mm (36'1")	10 280 mm (33'9")
4 Maximum Reach at Ground Line	9390 mm (30'10")	10 050 mm (33'0")	10 670 mm (35'0")	9800 mm (32'2")
5 Maximum Depth	1200 mm (3'11")	1700 mm (5'7")	2200 mm (7'3")	1500 mm (4'11")
6 Maximum Boom Pin Height	8200 mm (26'11")	8200 mm (26'11")	8200 mm (26'11")	8200 mm (26'11")

All dimensions refer to stick nose pin, with solid tires 10.00-20.
These dimensions are independent from the undercarriage type.

MH3022 Material Handler Specifications

Working Ranges

All dimensions are approximate and may vary depending on bucket selection.



Boom Options

VA Boom
5.26 m (17'3")

Stick Options

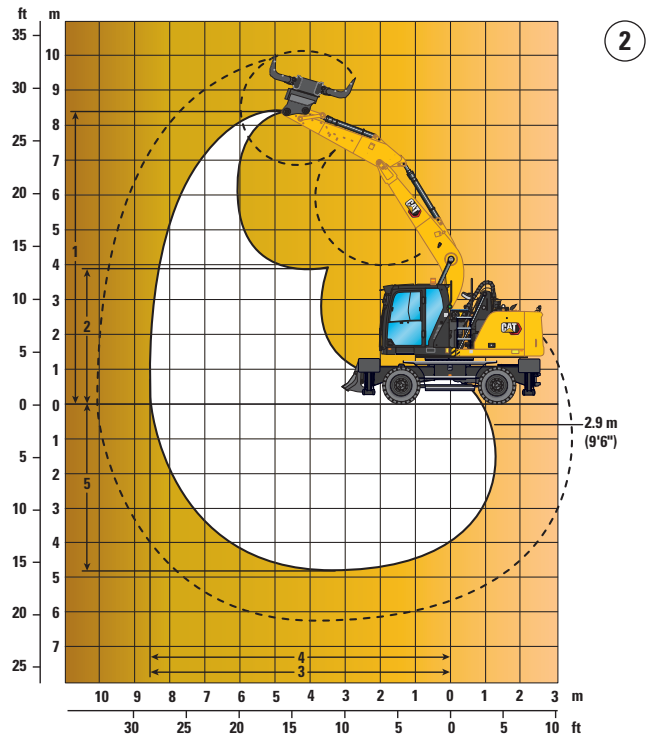
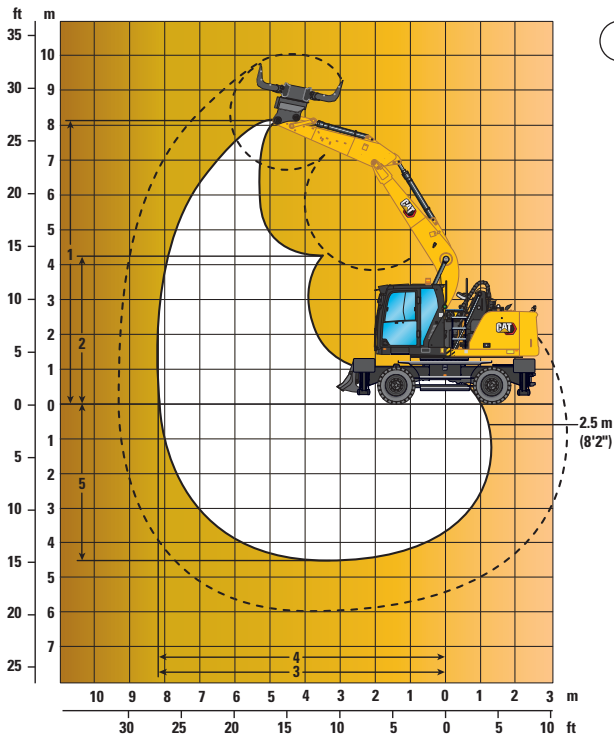
	VA Boom 5.26 m (17'3")	
	① 2.5 m (8'2")	② 2.9 m (9'6")
1 Maximum Height	8500 mm (27'11")	8780 mm (28'10")
2 Minimum Dump Height	4340 mm (14'3")	3960 mm (13'0")
3 Maximum Reach	7930 mm (26'0")	8310 mm (27'3")
4 Maximum Reach at Ground Line	7720 mm (25'4")	8110 mm (26'7")
5 Maximum Depth	4490 mm (14'9")	4890 mm (16'1")

All dimensions refer to stick nose pin, with solid tires 10.00-20.
These dimensions are independent from the undercarriage type.

MH3022 Material Handler Specifications

Working Ranges

All dimensions are approximate and may vary depending on bucket selection.



Boom Options

One-Piece Boom
5.65 m (18'6")

Stick Options

	Straight	
	2.5 m (8'2")	2.9 m (9'6")
1 Maximum Height	8220 mm (27'0")	8440 mm (27'8")
2 Minimum Dump Height	4330 mm (14'2")	3930 mm (10'11")
3 Maximum Reach	8280 mm (27'2")	8660 mm (28'5")
4 Maximum Reach at Ground Line	8280 mm (27'2")	8660 mm (28'5")
5 Maximum Depth	4460 mm (14'8")	4860 mm (15'11")

All dimensions refer to stick nose pin, with solid tires 10.00-20.
These dimensions are independent from the undercarriage type.

MH3022 Material Handler Specifications

Lift Capacities

All values are in kg, work tool: none, hydraulic cab riser, solid tires, with counterweight (3700 kg), heavy lift on.



Undercarriage

2.55 m (MH)

Boom

5.35 m (MH)

Stick

4.0 m (Drop Nose)

Load Point Height	Undercarriage configuration	3000 mm			4500 mm			6000 mm			7500 mm			9000 mm			mm			
		Front	Rear	Side	Front	Rear	Side	Front	Rear	Side	Front	Rear	Side	Front	Rear	Side				
9000 mm	Stabilizers Raised				*8000	*8000	6100										*6250	*6250	4650	5310
	Stabilizers Lowered				*8000	*8000	*8000										*6250	*6250	*6250	
7500 mm	Stabilizers Raised				8500	8450	6200	5300	5250	3900							4150	4100	3000	6930
	Stabilizers Lowered				*9800	*9800	*9800	*7900	*7900	*7900							*5500	*5500	*5500	
6000 mm	Stabilizers Raised				8450	8350	6150	5250	5200	3850	3650	3600	2650				3300	3250	2350	7950
	Stabilizers Lowered				*10 800	*10 800	*10 800	*8950	*8950	8100	6800	6800	5550				*5250	*5250	5050	
4500 mm	Stabilizers Raised	*12 850	*12 850	11 300	8100	8050	5850	5100	5050	3750	3600	3550	2600				2850	2800	2050	8590
	Stabilizers Lowered	*12 850	*12 850	*12 850	*11 550	*11 550	*11 550	*9200	*9200	7950	6750	6700	5500				*5250	*5250	4400	
3000 mm	Stabilizers Raised	15 150	15 000	10 100	7600	7550	5400	4900	4850	3500	3450	3450	2500				2650	2600	1850	8930
	Stabilizers Lowered	*18 750	*18 750	*18 750	*12 600	*12 600	12 600	*9550	9550	7650	6650	6600	5350				5000	5000	4100	
1500 mm	Stabilizers Raised	*11 200	*11 200	8700	7050	7000	4900	4650	4600	3300	3350	3300	2350	2550	2500	1800	2550	2500	1800	9000
	Stabilizers Lowered	*11 200	*11 200	*11 200	*13 150	*13 150	11 900	9300	9250	7400	6500	6450	5250	4900	4850	4000	4900	4850	4000	
0 mm	Stabilizers Raised	*6800	*6800	*6800	6700	6600	4550	4450	4400	3100	3250	3200	2250							
	Stabilizers Lowered	*6800	*6800	*6800	*12 200	*12 200	11 450	*8900	*8900	7150	6350	6300	5150							

Lift Capacities

All values are in lb, work tool: none, hydraulic cab riser, solid tires, with counterweight (8,160 lb), heavy lift on.



Undercarriage

8'4" (MH)

Boom

17'7" (MH)

Stick

13'1" (Drop Nose)

Load Point Height	Undercarriage configuration	10 ft			15 ft			20 ft			25 ft			ft			
		Front	Rear	Side	Front	Rear	Side	Front	Rear	Side	Front	Rear	Side				
30 ft	Stabilizers Raised	*21,700	*21,700	*21,700	*16,800	*16,800	13,000							*14,100	*14,100	10,900	16.73
	Stabilizers Lowered	*21,700	*21,700	*21,700	*16,800	*16,800	*16,800							*14,100	*14,100	*14,100	
25 ft	Stabilizers Raised				18,300	18,100	13,400	11,300	11,200	8,300				9,300	9,200	6,800	22.41
	Stabilizers Lowered				*21,200	*21,200	*21,200	*16,500	*16,500	*16,500				*12,200	*12,200	*12,200	
20 ft	Stabilizers Raised				18,100	18,000	13,200	11,300	11,200	8,300	7,800	7,700	5,700	7,300	7,200	5,300	25.92
	Stabilizers Lowered				*23,500	*23,500	*23,500	*19,500	*19,500	*19,500	*17,400	*13,900	*11,900	*11,600	*11,600	11,200	
15 ft	Stabilizers Raised	*28,100	*28,100	24,300	17,500	17,300	12,700	11,000	10,900	8,000	7,700	7,600	5,600	6,300	6,300	4,500	28.12
	Stabilizers Lowered	*28,100	*28,100	*28,100	*25,000	*25,000	*25,000	*20,000	*20,000	17,100	14,500	14,400	11,800	*11,600	*11,600	9,700	
10 ft	Stabilizers Raised	32,500	32,200	21,800	16,400	16,300	11,700	10,500	10,400	7,600	7,500	7,400	5,300	5,800	5,700	4,100	29.27
	Stabilizers Lowered	*40,400	*40,400	*40,400	*27,300	*27,300	27,000	20,600	20,500	16,500	14,200	14,200	11,600	11,100	11,000	9,000	
5 ft	Stabilizers Raised	*27,100	*27,100	18,800	15,200	15,100	10,600	10,000	9,900	7,100	7,200	7,100	5,100	5,600	5,600	3,900	29.53
	Stabilizers Lowered	*27,100	*27,100	*27,100	*28,500	*28,500	25,600	20,000	19,800	15,900	13,900	13,900	11,300	10,800	10,700	8,800	
0 ft	Stabilizers Raised	*15,600	*15,600	*15,600	14,400	14,200	9,800	9,600	9,500	6,700	7,000	6,900	4,900				
	Stabilizers Lowered	*15,600	*15,600	*15,600	*26,500	*26,500	24,500	*19,300	*19,300	15,400	13,700	13,600	11,000				

*Limited by hydraulic rather than tipping load.

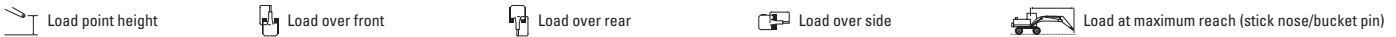
Lift capacity ratings are based on ISO 10567:2007, they do not exceed 87% of hydraulic lifting capacity or 75% of tipping load. The load point is the center line of the bucket pivot mounting pin on the stick. The oscillating axle must be locked. Lifting capacities are based on the machine standing on a firm uniform supporting surface. For lifting capacity including bucket and/or quick coupler, the respective weight has to be subtracted from above values. The use of a work tool attachment point to handle/lift objects, could affect the machine lift performance.

Always refer to the appropriate Operation and Maintenance Manual for specific product information.

MH3022 Material Handler Specifications

Lift Capacities

All values are in kg, work tool: none, hydraulic cab riser, solid tires, with counterweight (3700 kg), heavy lift on.



Undercarriage
2.55 m (MH)

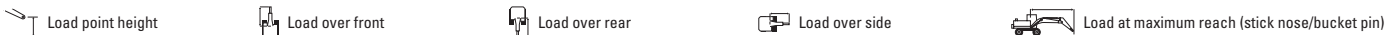
Boom
5.35 m (MH)

Stick
4.5 m (Drop Nose)

Load Point Height	Undercarriage configuration	3000 mm			4500 mm			6000 mm			7500 mm			9000 mm			mm			
		Load over front	Load over rear	Load over side	Load over front	Load over rear	Load over side	Load over front	Load over rear	Load over side	Load over front	Load over rear	Load over side	Load over front	Load over rear	Load over side				
10 500 mm	Stabilizers Raised	*7700	*7700	*7700												*7100	*7100	*7100	3340	
	Stabilizers Lowered	*7700	*7700	*7700												*7100	*7100	*7100		
9000 mm	Stabilizers Raised				*7800	*7800	6300									5300	5250	3900	6000	
	Stabilizers Lowered				*7800	*7800	*7800									*5350	*5350	*5350		
7500 mm	Stabilizers Raised				8700	8650	6400	5400	5350	4000						3700	3700	2700	7470	
	Stabilizers Lowered				*8900	*8900	*8900	*7600	*7600	*7600						*4800	*4800	*4800		
6000 mm	Stabilizers Raised				8600	8550	6300	5350	5350	3950	3700	3700	2700			3050	3000	2200	8430	
	Stabilizers Lowered				*9850	*9850	*9850	*8600	*8600	8250	6900	6850	5650			*4600	*4600	*4600		
4500 mm	Stabilizers Raised				8300	8250	6050	5200	5150	3800	3650	3600	2650	2650	1900	2650	2650	1900	9030	
	Stabilizers Lowered				*10 950	*10 950	*10 950	*8950	*8950	8050	6850	6800	5550	*4750	*4750	4100	*4600	*4600		4100
3000 mm	Stabilizers Raised	15 700	15 600	10 550	7800	7750	5600	4950	4900	3600	3500	3500	2500	2600	1850	2450	2450	1750	9350	
	Stabilizers Lowered	*17 450	*17 450	*17 450	*12 150	*12 150	*12 150	*9350	*9350	7800	6700	6650	5450	5000	4950	4050	4700	4650		3800
1500 mm	Stabilizers Raised	13 900	13 750	9050	7200	7150	5050	4700	4650	3350	3350	3350	2400	2550	2550	1800	2400	2350	1650	9420
	Stabilizers Lowered	*20 250	*20 250	*20 250	*13 050	*13 050	12 100	9350	9300	7450	6500	6450	5250	4900	4850	4000	4550	4550	3700	
0 mm	Stabilizers Raised	*7900	*7900	*7900	6750	6650	4600	4450	4400	3100	3250	3200	2250							
	Stabilizers Lowered	*7900	*7900	*7900	*12 650	*12 650	11 500	9100	9000	7200	6350	6350	5150							
-1500 mm	Stabilizers Raised				6500	6400	4400	4300	4250	2950										
	Stabilizers Lowered				*10 600	*10 600	*10 600	*7800	*7800	7050										

Lift Capacities

All values are in lb, work tool: none, hydraulic cab riser, solid tires, with counterweight (8,160 lb), heavy lift on.



Undercarriage
8'4" (MH)

Boom
17'7" (MH)

Stick
14'9" (Drop Nose)

Load Point Height	Undercarriage configuration	10 ft			15 ft			20 ft			25 ft			30 ft			ft			
		Load over front	Load over rear	Load over side	Load over front	Load over rear	Load over side	Load over front	Load over rear	Load over side	Load over front	Load over rear	Load over side	Load over front	Load over rear	Load over side				
35 ft	Stabilizers Raised															*16,800	*16,800	*16,800	9.25	
	Stabilizers Lowered															*16,800	*16,800	*16,800		
30 ft	Stabilizers Raised				*16,600	*16,600	13,500									*11,900	*11,900	9,000	19.09	
	Stabilizers Lowered				*16,600	*16,600	*16,600									*11,900	*11,900	*11,900		
25 ft	Stabilizers Raised				18,700	18,500	13,700	11,600	11,500	8,600						8,400	8,300	6,100	24.21	
	Stabilizers Lowered				*19,400	*19,400	*19,400	*16,200	*16,200	*16,200						*10,700	*10,700	*10,700		
20 ft	Stabilizers Raised				18,500	18,400	13,600	11,600	11,500	8,500	8,000	7,900	5,800			6,700	6,700	4,900	27.49	
	Stabilizers Lowered				*21,500	*21,500	*21,500	*18,700	*18,700	17,700	*14,600	*14,600	12,100			*10,200	*10,200	*10,200		
15 ft	Stabilizers Raised				17,900	17,800	13,000	11,200	11,100	8,200	7,800	7,700	5,700			5,900	5,800	4,200	29.56	
	Stabilizers Lowered				*23,800	*23,800	*23,800	*19,400	*19,400	17,300	14,700	14,600	12,000			*10,200	*10,200	9,100		
10 ft	Stabilizers Raised	33,800	33,500	22,800	16,800	16,700	12,000	10,700	10,600	7,700	7,600	7,500	5,400	5,600	5,600	4,000	5,400	5,400	3,800	30.68
	Stabilizers Lowered	*37,700	*37,700	*37,700	*26,300	*26,300	*26,300	*20,300	*20,300	16,700	14,400	14,300	11,700	10,700	10,600	8,700	10,300	10,300	8,400	
5 ft	Stabilizers Raised	29,800	29,600	19,500	15,500	15,400	10,900	10,100	10,000	7,200	7,300	7,200	5,100	5,500	5,400	3,900	5,300	5,200	3,700	30.91
	Stabilizers Lowered	*43,800	*43,800	*43,800	*28,300	*28,300	25,900	20,100	20,000	16,000	14,000	13,900	11,300	10,600	10,500	8,600	10,100	10,000	8,200	
0 ft	Stabilizers Raised	*18,200	*18,200	17,500	14,500	14,300	9,900	9,600	9,500	6,700	7,000	6,900	4,900							
	Stabilizers Lowered	*18,200	*18,200	*18,200	*27,500	*27,500	24,700	19,500	19,400	15,500	13,700	13,600	11,100							
-5 ft	Stabilizers Raised				14,000	13,800	9,500	9,300	9,200	6,400										
	Stabilizers Lowered				*22,900	*22,900	*22,900	*16,800	*16,800	15,100										

*Limited by hydraulic rather than tipping load.

Lift capacity ratings are based on ISO 10567:2007, they do not exceed 87% of hydraulic lifting capacity or 75% of tipping load. The load point is the center line of the bucket pivot mounting pin on the stick. The oscillating axle must be locked. Lifting capacities are based on the machine standing on a firm uniform supporting surface. For lifting capacity including bucket and/or quick coupler, the respective weight has to be subtracted from above values. The use of a work tool attachment point to handle/lift objects, could affect the machine lift performance.

Always refer to the appropriate Operation and Maintenance Manual for specific product information.

MH3022 Material Handler Specifications

Lift Capacities

All values are in kg, work tool: none, hydraulic cab riser, solid tires, bucket cylinder and bucket linkage installed, with counterweight (3700 kg), heavy lift on.

Load point height Load over front Load over rear Load over side Load at maximum reach (stick nose/bucket pin)

Undercarriage

2.55 m (MH)

Boom

5.35 m (MH)

Stick

4.3 m (Straight)

	Undercarriage configuration	3000 mm			4500 mm			6000 mm			7500 mm			9000 mm						mm
9000 mm	Stabilizers Raised				*7700	*7700	6000										5350	5300	3900	5760
	Stabilizers Lowered				*7700	*7700	*7700										*5400	*5400	*5400	
7500 mm	Stabilizers Raised				8400	8350	6100	5150	5100	3750							3600	3600	2550	7290
	Stabilizers Lowered				*9050	*9050	*9050	*7550	*7550	*7550							*4800	*4800	*4800	
6000 mm	Stabilizers Raised				8350	8250	6050	5100	5050	3700	3450	3400	2450				2850	2850	2000	8260
	Stabilizers Lowered				*10 100	*10 100	*10 100	*8450	*8450	7950	6650	6600	5400				*4600	*4600	4500	
4500 mm	Stabilizers Raised	*10 950	*10 950	*10 950	8050	7950	5750	4950	4900	3550	3400	3350	2400				2500	2450	1700	8880
	Stabilizers Lowered	*10 950	*10 950	*10 950	*10 950	*10 950	*10 950	*8800	*8800	7800	6550	6500	5300				*4600	*4600	3950	
3000 mm	Stabilizers Raised	15 300	15 150	10 150	7500	7450	5300	4700	4650	3350	3250	3250	2250	2400	2350	1600	2300	2250	1550	9200
	Stabilizers Lowered	*17 750	*17 750	*17 750	*12 100	*12 100	*12 100	*9200	*9200	7500	6450	6400	5150	4750	4700	3800	4550	4550	3650	
1500 mm	Stabilizers Raised	13 450	13 350	8650	6900	6850	4750	4450	4400	3050	3100	3100	2150	2300	2300	1550	2200	2150	1450	9280
	Stabilizers Lowered	*16 400	*16 400	*16 400	*12 800	*12 800	11 750	9100	9050	7200	6250	6250	5000	4650	4650	3750	4450	4400	3550	
0 mm	Stabilizers Raised	*7050	*7050	*7050	6450	6400	4350	4200	4150	2850	3000	2950	2050							
	Stabilizers Lowered	*7050	*7050	*7050	*12 200	*12 200	11 250	*8800	8750	6950	6150	6100	4900							

Lift Capacities

All values are in lb, work tool: none, hydraulic cab riser, solid tires, bucket cylinder and bucket linkage installed, with counterweight (8,160 lb), heavy lift on.

Load point height Load over front Load over rear Load over side Load at maximum reach (stick nose/bucket pin)

Undercarriage

8'4" (MH)

Boom

17'7" (MH)

Stick

14'1" (Straight)

	Undercarriage configuration	10 ft			15 ft			20 ft			25 ft			30 ft						ft
30 ft	Stabilizers Raised				*16,400	*16,400	12,800										*12,100	*12,100	9,000	18.27
	Stabilizers Lowered				*16,400	*16,400	*16,400										*12,100	*12,100	*12,100	
25 ft	Stabilizers Raised				18,100	17,900	13,100	11,000	10,900	8,000							8,200	8,100	5,800	23.59
	Stabilizers Lowered				*19,600	*19,600	*19,600	*16,000	*16,000	*16,000							*10,700	*10,700	*10,700	
20 ft	Stabilizers Raised				17,900	17,800	13,000	11,000	10,900	8,000	7,400	7,300	5,200				6,400	6,300	4,500	26.94
	Stabilizers Lowered				*22,000	*22,000	*22,000	*18,500	*18,500	17,100	*14,100	*14,100	11,500				*10,100	*10,100	10,100	
15 ft	Stabilizers Raised	*24,000	*24,000	*24,000	17,300	17,100	12,400	10,700	10,600	7,700	7,300	7,200	5,100				5,500	5,500	3,800	29.07
	Stabilizers Lowered	*24,000	*24,000	*24,000	*23,700	*23,700	*23,700	*19,100	*19,100	16,700	14,100	14,000	11,400				*10,100	*10,100	8,800	
10 ft	Stabilizers Raised	32,800	32,600	21,900	16,200	16,000	11,400	10,100	10,000	7,200	7,000	6,900	4,900	5,100	5,000	3,400	5,000	5,000	3,400	30.18
	Stabilizers Lowered	*38,300	*38,300	*38,300	*26,200	*26,200	*26,200	*19,900	*19,900	16,100	13,800	13,700	11,100	10,200	10,100	8,200	10,100	10,000	8,100	
5 ft	Stabilizers Raised	28,900	28,700	18,600	14,900	14,700	10,200	9,600	9,500	6,600	6,700	6,700	4,600	5,000	4,900	3,300	4,900	4,800	3,200	30.45
	Stabilizers Lowered	*41,200	*41,200	*41,200	*27,800	*27,800	25,300	19,600	19,400	15,500	13,500	13,400	10,800	10,000	10,000	8,100	9,800	9,700	7,900	
0 ft	Stabilizers Raised	*16,200	*16,200	*16,200	13,900	13,800	9,300	9,100	9,000	6,200	6,500	6,400	4,400							
	Stabilizers Lowered	*16,200	*16,200	*16,200	*26,500	*26,500	24,100	19,000	18,800	14,900	13,200	13,100	10,500							

*Limited by hydraulic rather than tipping load.

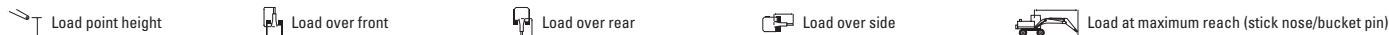
Lift capacity ratings are based on ISO 10567:2007, they do not exceed 87% of hydraulic lifting capacity or 75% of tipping load. The load point is the center line of the bucket pivot mounting pin on the stick. The oscillating axle must be locked. Lifting capacities are based on the machine standing on a firm uniform supporting surface. For lifting capacity including bucket and/or quick coupler, the respective weight has to be subtracted from above values. The use of a work tool attachment point to handle/lift objects, could affect the machine lift performance.

Always refer to the appropriate Operation and Maintenance Manual for specific product information.

MH3022 Material Handler Specifications

Lift Capacities

All values are in kg, work tool: none, hydraulic cab riser, solid tires, with counterweight (3700 kg), heavy lift on.



Undercarriage 2.55 m (MH)

Boom 6.4 m (MH)

Stick 4.0 m (Drop Nose)

Undercarriage configuration	3000 mm			4500 mm			6000 mm			7500 mm			9000 mm			mm		
	Load point height	Load over front	Load over rear	Load point height	Load over front	Load over rear	Load point height	Load over front	Load over rear	Load point height	Load over front	Load over rear	Load point height	Load over front	Load over rear	Load point height	Load over front	Load over rear
10 500 mm	Stabilizers Raised	*9450	*9450	*9450	*7350	*7350	6000									*6750	*6750	5400
	Stabilizers Lowered	*9450	*9450	*9450	*7350	*7350	*7350									*6750	*6750	*6750
9000 mm	Stabilizers Raised				8550	8500	6250	5300	5250	3850						4150	4100	3000
	Stabilizers Lowered				*9450	*9450	*9450	*7650	*7650	*7650						*5700	*5700	*5700
7500 mm	Stabilizers Raised				8550	8450	6200	5300	5250	3900	3600	3600	2600			3050	3050	2200
	Stabilizers Lowered				*10 600	*10 600	*10 600	*8600	*8600	8150	6850	6800	5550			*5350	*5350	4750
6000 mm	Stabilizers Raised				8250	8200	6000	5150	5100	3750	3550	3550	2550	2600	2550	1800	2550	1800
	Stabilizers Lowered				*11 050	*11 050	*11 050	*8800	*8800	8000	6800	6750	5500	4950	4950	4050	4900	4850
4500 mm	Stabilizers Raised	15 700	15 550	10 500	7750	7700	5500	4900	4850	3550	3450	3400	2450	2550	2500	1800	2250	1550
	Stabilizers Lowered	*17 400	*17 400	*17 400	*11 900	*11 900	*11 900	*9150	*9150	7750	6650	6600	5350	4900	4900	4000	4400	4350
3000 mm	Stabilizers Raised	*8700	*8700	8650	7050	7000	4900	4600	4550	3250	3300	3250	2300	2450	2450	1700	2100	2050
	Stabilizers Lowered	*8700	*8700	*8700	*12 700	*12 700	11 950	9300	9250	7350	6450	6400	5200	4850	4800	3900	4100	4100
1500 mm	Stabilizers Raised				6450	6350	4300	4300	4250	2950	3100	3100	2150	2400	2350	1600	2000	2000
	Stabilizers Lowered				*12 500	*12 500	11 200	8900	8850	7000	6250	6200	5000	4750	4700	3800	4050	4000
0 mm	Stabilizers Raised				6100	6050	4000	4100	4050	2750	3000	2950	2050	2300	2300	1550		
	Stabilizers Lowered				*9750	*9750	*9750	*8300	*8300	6800	6100	6050	4850	4650	4650	3750		

Lift Capacities

All values are in lb, work tool: none, hydraulic cab riser, solid tires, with counterweight (8,160 lb), heavy lift on.



Undercarriage 8'4" (MH)

Boom 21'0" (MH)

Stick 13'1" (Drop Nose)

Undercarriage configuration	10 ft			15 ft			20 ft			25 ft			30 ft			ft		
	Load point height	Load over front	Load over rear	Load point height	Load over front	Load over rear	Load point height	Load over front	Load over rear	Load point height	Load over front	Load over rear	Load point height	Load over front	Load over rear	Load point height	Load over front	Load over rear
35 ft	Stabilizers Raised	*20,300	*20,300	*20,300												*15,400	*15,400	13,300
	Stabilizers Lowered	*20,300	*20,300	*20,300												*15,400	*15,400	*15,400
30 ft	Stabilizers Raised				18,300	18,200	13,400	11,300	11,200	8,300						9,500	9,400	6,900
	Stabilizers Lowered				*20,400	*20,400	*20,400	*16,000	*16,000	*16,000						*12,700	*12,700	*12,700
25 ft	Stabilizers Raised				18,300	18,200	13,400	11,400	11,300	8,300	7,800	7,700	5,600			6,900	6,800	4,900
	Stabilizers Lowered				*23,100	*23,100	*23,100	*18,800	*18,800	17,500	14,700	14,600	11,900			*11,800	*11,800	10,700
20 ft	Stabilizers Raised				17,800	17,700	12,900	11,100	11,000	8,100	7,700	7,600	5,500			5,700	5,600	4,000
	Stabilizers Lowered				*24,000	*24,000	*24,000	*19,100	*19,100	17,200	14,600	14,500	11,800			10,900	10,800	8,800
15 ft	Stabilizers Raised	33,700	33,500	22,700	16,700	16,600	11,900	10,600	10,500	7,600	7,400	7,400	5,300	5,500	5,400	3,800	5,000	4,900
	Stabilizers Lowered	*37,500	*37,500	*37,500	*25,800	*25,800	*25,800	*19,800	*19,800	16,600	14,300	14,200	11,600	10,600	10,500	8,600	9,700	9,600
10 ft	Stabilizers Raised	*23,500	*23,500	18,700	15,200	15,100	10,600	9,900	9,800	7,000	7,100	7,000	5,000	5,300	5,200	3,700	4,600	4,600
	Stabilizers Lowered	*23,500	*23,500	*23,500	*27,500	*27,500	25,700	20,000	19,800	15,900	13,900	13,800	11,200	10,400	10,300	8,400	9,100	9,000
5 ft	Stabilizers Raised				13,900	13,700	9,300	9,300	9,200	6,400	6,700	6,700	4,600	5,100	5,100	3,500	4,500	4,400
	Stabilizers Lowered				*27,100	*27,100	24,000	19,200	19,000	15,100	13,500	13,400	10,800	10,200	10,100	8,200	8,900	8,800
0 ft	Stabilizers Raised				13,100	13,000	8,700	8,800	8,700	5,900	6,500	6,400	4,400	5,000	4,900	3,400		
	Stabilizers Lowered				*22,800	*22,800	*22,800	*18,000	*18,000	14,600	13,100	13,100	10,500	10,000	10,000	8,100		

*Limited by hydraulic rather than tipping load.

Lift capacity ratings are based on ISO 10567:2007, they do not exceed 87% of hydraulic lifting capacity or 75% of tipping load. The load point is the center line of the bucket pivot mounting pin on the stick. The oscillating axle must be locked. Lifting capacities are based on the machine standing on a firm uniform supporting surface. For lifting capacity including bucket and/or quick coupler, the respective weight has to be subtracted from above values. The use of a work tool attachment point to handle/lift objects, could affect the machine lift performance.

Always refer to the appropriate Operation and Maintenance Manual for specific product information.

MH3022 Material Handler Specifications

Lift Capacities

All values are in kg, work tool: none, hydraulic cab riser, solid tires, with counterweight (3700 kg), heavy lift on.



Undercarriage 2.55 m (MH)

Boom 6.4 m (MH)

Stick 4.5 m (Drop Nose)

Load Configuration	Undercarriage configuration	3000 mm			4500 mm			6000 mm			7500 mm			9000 mm			mm							
		Load point height	Load over front	Load over rear	Load over front	Load over rear	Load over side	Load over front	Load over rear	Load over side	Load over front	Load over rear	Load over side	Load over front	Load over rear	Load over side								
10 500 mm	Stabilizers Raised				*7350	*7350	6250										*5650	*5650	4300	5610				
	Stabilizers Lowered				*7350	*7350	*7350										*5650	*5650	*5650					
9000 mm	Stabilizers Raised				*8650	*8650	6400	5400	5350	4000										3700	3650	2650	7490	
	Stabilizers Lowered				*8650	*8650	*8650	*7400	*7400	*7400							*4950	*4950	*4950					
7500 mm	Stabilizers Raised				8750	8650	6400	5400	5350	4000	3700	3650	2700							2850	2800	2000	8710	
	Stabilizers Lowered				*9550	*9550	*9550	*8350	*8350	8300	6950	6900	5650				*4700	*4700	4350					
6000 mm	Stabilizers Raised				8500	8400	6200	5300	5250	3850	3650	3600	2650	2650	2600	1850				2400	2350	1650	9540	
	Stabilizers Lowered				*10 550	*10 550	*10 550	*8550	*8550	8150	6850	6800	5600	5050	5000	4100	4550	4550	3700					
4500 mm	Stabilizers Raised	*13 550	*13 550	11 050	8000	7900	5700	5000	5000	3650	3500	3450	2500	2600	2550	1800	2100	2100	1450				10 070	
	Stabilizers Lowered	*13 550	*13 550	*13 550	*11 450	*11 450	*11 450	*8900	*8900	7850	6700	6650	5450	4950	4950	4050	4100	4100	3350					
3000 mm	Stabilizers Raised	14 200	14 050	9250	7250	7200	5050	4700	4650	3300	3350	3300	2350	2500	2450	1700	1950	1950	1350				10 360	
	Stabilizers Lowered	*19 200	*19 200	*19 200	*12 450	*12 450	12 200	*9300	*9300	7500	6500	6450	5250	4850	4800	3950	3900	3850	3150					
1500 mm	Stabilizers Raised	*4100	*4100	*4100	6550	6500	4450	4350	4300	3000	3150	3100	2150	2400	2350	1650	1900	1900	1250				10 420	
	Stabilizers Lowered	*4100	*4100	*4100	*12 700	*12 700	11 350	9000	8950	7100	6300	6250	5050	4750	4700	3850	3800	3750	3050					
0 mm	Stabilizers Raised	*3800	*3800	*3800	6100	6050	4050	4100	4050	2750	3000	2950	2050	2300	2300	1550								
	Stabilizers Lowered	*3800	*3800	*3800	*11 300	*11 300	10 800	*8650	8600	6800	6100	6050	4900	4650	4600	3750								
-1500 mm	Stabilizers Raised									3950	3900	2900	2850	1950										
	Stabilizers Lowered							*7150	*7150	6650	*5550	*5550	4800											

Lift Capacities

All values are in lb, work tool: none, hydraulic cab riser, solid tires, with counterweight (8,160 lb), heavy lift on.



Undercarriage 8'4" (MH)

Boom 21'0" (MH)

Stick 14'9" (Drop Nose)

Load Configuration	Undercarriage configuration	10 ft			15 ft			20 ft			25 ft			30 ft			ft						
		Load point height	Load over front	Load over rear	Load over front	Load over rear	Load over side	Load over front	Load over rear	Load over side	Load over front	Load over rear	Load over side	Load over front	Load over rear	Load over side							
35 ft	Stabilizers Raised				*15,400	*15,400	13,300										*12,800	*12,800	10,300	17.49			
	Stabilizers Lowered				*15,400	*15,400	*15,400										*12,800	*12,800	*12,800				
30 ft	Stabilizers Raised				*18,700	18,600	13,800	11,600	11,500	8,600										8,400	8,300	6,100	24.08
	Stabilizers Lowered				*18,700	*18,700	*18,700	*15,700	*15,700	*15,700							*11,000	*11,000	*11,000				
25 ft	Stabilizers Raised				18,800	18,600	13,800	11,600	11,500	8,600	8,000	7,900	5,800							6,300	6,300	4,500	28.31
	Stabilizers Lowered				*20,800	*20,800	*20,800	*18,200	*18,200	17,800	14,900	14,800	12,100				*10,300	*10,300	9,800				
20 ft	Stabilizers Raised				18,300	18,100	13,300	11,400	11,300	8,300	7,800	7,800	5,700	5,700	5,600	4,000	5,300	5,200	3,700				31.14
	Stabilizers Lowered				*23,000	*23,000	*23,000	*18,600	*18,600	17,500	14,700	14,700	12,000	10,800	10,700	8,800	10,100	10,100	8,200				
15 ft	Stabilizers Raised	*29,200	*29,200	23,800	17,200	17,100	12,400	10,800	10,700	7,800	7,600	7,500	5,400	5,600	5,500	3,900	4,700	4,600	3,200				32.97
	Stabilizers Lowered	*29,200	*29,200	*29,200	*24,800	*24,800	*24,800	*19,400	*19,400	16,900	14,400	14,300	11,700	10,700	10,600	8,700	9,100	9,000	7,400				
10 ft	Stabilizers Raised	30,500	30,300	20,000	15,700	15,500	11,000	10,100	10,000	7,200	7,200	7,100	5,000	5,400	5,300	3,700	4,300	4,300	2,900				33.96
	Stabilizers Lowered	*41,400	*41,400	*41,400	*27,000	*27,000	26,200	*20,100	20,100	16,100	14,000	13,900	11,300	10,400	10,400	8,500	8,600	8,500	6,900				
5 ft	Stabilizers Raised	*9,600	*9,600	*9,600	14,200	14,000	9,600	9,400	9,300	6,500	6,800	6,700	4,700	5,100	5,100	3,500	4,200	4,100	2,800				34.19
	Stabilizers Lowered	*9,600	*9,600	*9,600	*27,500	*27,500	24,400	19,300	19,200	15,300	13,500	13,400	10,900	10,200	10,100	8,200	8,400	8,300	6,800				
0 ft	Stabilizers Raised	*8,600	*8,600	*8,600	13,200	13,000	8,700	8,800	8,700	5,900	6,500	6,400	4,400	5,000	4,900	3,300							
	Stabilizers Lowered	*8,600	*8,600	*8,600	*25,000	*25,000	23,200	18,600	18,500	14,600	13,200	13,100	10,500	10,000	9,900	8,100							
-5 ft	Stabilizers Raised							8,500	8,400	5,700	6,300	6,200	4,200										
	Stabilizers Lowered							*15,500	*15,500	14,300	*11,900	*11,900	10,300										

*Limited by hydraulic rather than tipping load.

Lift capacity ratings are based on ISO 10567:2007, they do not exceed 87% of hydraulic lifting capacity or 75% of tipping load. The load point is the center line of the bucket pivot mounting pin on the stick. The oscillating axle must be locked. Lifting capacities are based on the machine standing on a firm uniform supporting surface. For lifting capacity including bucket and/or quick coupler, the respective weight has to be subtracted from above values. The use of a work tool attachment point to handle/lift objects, could affect the machine lift performance.

Always refer to the appropriate Operation and Maintenance Manual for specific product information.

MH3022 Material Handler Specifications

Lift Capacities

All values are in kg, work tool: none, hydraulic cab riser, solid tires, bucket cylinder and bucket linkage installed, with counterweight (3700 kg), heavy lift on.



Undercarriage 2.55 m (MH)

Boom 6.4 m (MH)

Stick 4.3 m (Straight)

Load point height	Undercarriage configuration	3000 mm			4500 mm			6000 mm			7500 mm			9000 mm			mm			
		Load over front	Load over rear	Load over side	Load over front	Load over rear	Load over side	Load over front	Load over rear	Load over side	Load over front	Load over rear	Load over side	Load over front	Load over rear	Load over side				
10 500 mm	Stabilizers Raised				*7200	*7200	5900										*5800	*5800	4350	5340
	Stabilizers Lowered				*7200	*7200	*7200										*5800	*5800	*5800	
9000 mm	Stabilizers Raised				8450	8400	6150	5150	5100	3700										7290
	Stabilizers Lowered				*8700	*8700	*8700	*7300	*7300	*7300							*4950	*4950	*4950	
7500 mm	Stabilizers Raised				8450	8350	6100	5150	5100	3700	3450	3400	2450							8540
	Stabilizers Lowered				*9750	*9750	*9750	*8200	*8200	8050	6650	6650	5400				*4650	*4650	4250	
6000 mm	Stabilizers Raised				8200	8100	5900	5000	4950	3600	3400	3350	2400	2400	2350	1600	2200	2150	1450	9380
	Stabilizers Lowered				*10 500	*10 500	*10 500	*8400	*8400	7900	6600	6550	5350	4750	3850	4400	4400	4400	3550	
4500 mm	Stabilizers Raised	*14 950	*14 950	10 650	7700	7600	5400	4750	4700	3350	3250	3200	2250	2350	2300	1550	1900	1900	1250	9930
	Stabilizers Lowered	*14 950	*14 950	*14 950	*11 400	*11 400	*11 400	*8750	*8750	7600	6450	6400	5200	4700	4700	3800	3950	3950	3150	
3000 mm	Stabilizers Raised	13 650	13 500	8750	6950	6900	4750	4400	4350	3050	3050	3050	2100	2250	2200	1450	1750	1750	1100	10 220
	Stabilizers Lowered	*19 200	*19 200	*19 200	*12 300	*12 300	11 850	*9050	*9050	7200	6250	6200	5000	4600	4600	3700	3700	3700	2950	
1500 mm	Stabilizers Raised	*3000	*3000	*3000	6250	6200	4150	4100	4050	2750	2900	2850	1900	2150	2100	1400	1700	1700	1050	10 280
	Stabilizers Lowered	*3000	*3000	*3000	*12 350	*12 350	11 000	8700	8650	6800	6050	6000	4800	4500	4450	3600	3650	3600	2900	
0 mm	Stabilizers Raised				5850	5750	3750	3850	3800	2500	2750	2700	1800	2050	2050	1300				
	Stabilizers Lowered				*10 200	*10 200	*10 200	*8200	*8200	6550	5850	5800	4650	4400	4400	3500				

Lift Capacities

All values are in lb, work tool: none, hydraulic cab riser, solid tires, bucket cylinder and bucket linkage installed, with counterweight (8,160 lb), heavy lift on.



Undercarriage 8'4" (MH)

Boom 21'0" (MH)

Stick 14'1" (Straight)

Load point height	Undercarriage configuration	10 ft			15 ft			20 ft			25 ft			30 ft			ft			
		Load over front	Load over rear	Load over side	Load over front	Load over rear	Load over side	Load over front	Load over rear	Load over side	Load over front	Load over rear	Load over side	Load over front	Load over rear	Load over side				
35 ft	Stabilizers Raised				*15,000	*15,000	12,600										*13,100	*13,100	10,600	16.57
	Stabilizers Lowered				*15,000	*15,000	*15,000										*13,100	*13,100	*13,100	
30 ft	Stabilizers Raised				18,100	18,000	13,100	11,000	10,900	7,900										23.43
	Stabilizers Lowered				*18,900	*18,900	*18,900	*15,400	*15,400	*15,400							*11,100	*11,100	*11,100	
25 ft	Stabilizers Raised				18,100	18,000	13,100	11,000	10,900	8,000	7,400	7,300	5,200				6,000	5,900	4,100	27.72
	Stabilizers Lowered				*21,200	*21,200	*21,200	*17,800	*17,800	17,200	14,300	14,200	11,600				*10,300	*10,300	9,500	
20 ft	Stabilizers Raised				17,600	17,500	12,700	10,800	10,700	7,700	7,300	7,200	5,100	5,100	5,100	3,400	4,900	4,800	3,300	30.64
	Stabilizers Lowered				*22,800	*22,800	*22,800	*18,200	*18,200	16,900	14,200	14,100	11,400	10,200	10,200	8,200	9,800	9,800	7,900	
15 ft	Stabilizers Raised	*32,000	*32,000	23,000	16,600	16,400	11,700	10,200	10,100	7,200	7,000	6,900	4,800	5,000	4,900	3,300	4,300	4,200	2,800	32.51
	Stabilizers Lowered	*32,000	*32,000	*32,000	*24,700	*24,700	*24,700	*19,000	*19,000	16,300	13,900	13,800	11,100	10,100	10,000	8,100	8,800	8,700	7,000	
10 ft	Stabilizers Raised	29,400	29,100	19,000	15,000	14,900	10,300	9,500	9,400	6,600	6,600	6,500	4,500	4,800	4,800	3,200	3,900	3,900	2,500	33.50
	Stabilizers Lowered	*41,500	*41,500	*41,500	*26,600	*26,600	25,500	*19,600	19,500	15,500	13,400	13,300	10,700	9,900	9,800	7,900	8,200	8,200	6,600	
5 ft	Stabilizers Raised	*7,100	*7,100	*7,100	13,500	13,400	8,900	8,800	8,700	5,900	6,200	6,200	4,100	4,600	4,600	3,000	3,800	3,700	2,300	33.73
	Stabilizers Lowered	*7,100	*7,100	*7,100	*26,800	*26,800	23,700	18,700	18,600	14,700	13,000	12,900	10,300	9,700	9,600	7,700	8,000	8,000	6,400	
0 ft	Stabilizers Raised				12,600	12,400	8,100	8,300	8,200	5,400	5,900	5,900	3,800	4,500	4,400	2,800				
	Stabilizers Lowered				*23,700	*23,700	22,600	*17,800	*17,800	14,100	12,600	12,500	10,000	9,500	9,400	7,500				

*Limited by hydraulic rather than tipping load.

Lift capacity ratings are based on ISO 10567:2007, they do not exceed 87% of hydraulic lifting capacity or 75% of tipping load. The load point is the center line of the bucket pivot mounting pin on the stick. The oscillating axle must be locked. Lifting capacities are based on the machine standing on a firm uniform supporting surface. For lifting capacity including bucket and/or quick coupler, the respective weight has to be subtracted from above values. The use of a work tool attachment point to handle/lift objects, could affect the machine lift performance.

Always refer to the appropriate Operation and Maintenance Manual for specific product information.

MH3022 Material Handler Specifications

Lift Capacities

All values are in kg, work tool: none, hydraulic cab riser, solid tires, bucket cylinder and bucket linkage installed, with counterweight (3700 kg), heavy lift on.



Undercarriage
2.55 m (MH)

Boom
5.26 m (VA)

Stick
2.5 m (Straight)

Load point height	Undercarriage configuration	3000 mm			4500 mm			6000 mm			7500 mm			mm			
		Load over front	Load over rear	Load over side	Load over front	Load over rear	Load over side	Load over front	Load over rear	Load over side	Load over front	Load over rear	Load over side				
7500 mm	Stabilizers Raised				*5900	*5900	*5900							*3800	*3800	*3800	5420
	Stabilizers Lowered				*5900	*5900	*5900							*3800	*3800	*3800	
6000 mm	Stabilizers Raised				*6050	*6050	5950	*4800	*4800	3750				*3300	*3300	3050	6720
	Stabilizers Lowered				*6050	*6050	*6050	*4800	*4800	*4800				*3300	*3300	*3300	
4500 mm	Stabilizers Raised				*6400	*6400	5650	*4950	*4950	3600				*3150	*3150	2500	7490
	Stabilizers Lowered				*6400	*6400	*6400	*4950	*4950	*4950				*3150	*3150	*3150	
3000 mm	Stabilizers Raised				*7250	*7250	5150	4800	4750	3400	3400	3400	2400	3150	3100	2200	7890
	Stabilizers Lowered				*7250	*7250	*7250	*5250	*5250	*5250	*4200	*4200	*4200	*3150	*3150	*3150	
1500 mm	Stabilizers Raised				6850	6800	4700	4550	4500	3200	3300	3300	2350	3000	3000	2100	7990
	Stabilizers Lowered				*8700	*8700	*8700	*5700	*5700	*5700	*4400	*4400	*4400	*3350	*3350	*3350	
0 mm	Stabilizers Raised				6600	6550	4450	4400	4350	3050	3250	3200	2250	3100	3050	2150	7780
	Stabilizers Lowered				*10 000	*10 000	*10 000	*6250	*6250	*6250	*4700	*4700	*4700	*3650	*3650	*3650	
-1500 mm	Stabilizers Raised	*8950	*8950	8050	6550	6500	4400	4350	4300	3000				3400	3350	2350	7250
	Stabilizers Lowered	*8950	*8950	*8950	*9150	*9150	*9150	*6750	*6750	*6750				*4350	*4350	*4350	
-3000 mm	Stabilizers Raised				6650	6550	4500	4450	4400	3100				4150	4150	2900	6310
	Stabilizers Lowered				*7250	*7250	*7250	*5100	*5100	*5100				*4450	*4450	*4450	

Lift Capacities

All values are in lb, work tool: none, hydraulic cab riser, solid tires, bucket cylinder and bucket linkage installed, with counterweight (8,160 lb), heavy lift on.



Undercarriage
8'4" (MH)

Boom
17'3" (VA)

Stick
8'2" (Straight)

Load point height	Undercarriage configuration	10 ft			15 ft			20 ft			25 ft			ft			
		Load over front	Load over rear	Load over side	Load over front	Load over rear	Load over side	Load over front	Load over rear	Load over side	Load over front	Load over rear	Load over side				
25 ft	Stabilizers Raised				*12,300	*12,300	*12,300							*8,300	*8,300	*8,300	17.03
	Stabilizers Lowered				*12,300	*12,300	*12,300							*8,300	*8,300	*8,300	
20 ft	Stabilizers Raised				*13,500	*13,500	12,700	10,900	10,800	7,900				*7,200	*7,200	6,800	21.62
	Stabilizers Lowered				*13,500	*13,500	*13,500	*11,500	*11,500	*11,500				*7,200	*7,200	*7,200	
15 ft	Stabilizers Raised				*15,400	*15,400	12,100	10,700	10,600	7,700				*6,800	*6,800	5,500	24.31
	Stabilizers Lowered				*15,400	*15,400	*15,400	*13,000	*13,000	*13,000				*6,800	*6,800	*6,800	
10 ft	Stabilizers Raised				15,800	15,700	11,100	10,300	10,200	7,300	7,300	7,200	5,100	*6,900	6,900	4,900	25.69
	Stabilizers Lowered				*18,600	*18,600	*18,600	*14,300	*14,300	*14,300	*10,300	*10,300	*10,300	*6,900	*6,900	*6,900	
5 ft	Stabilizers Raised				14,700	14,600	10,100	9,800	9,700	6,800	7,100	7,000	4,900	6,600	6,600	4,600	26.02
	Stabilizers Lowered				*21,200	*21,200	*21,200	*15,400	*15,400	*15,400	*12,300	*12,300	11,200	*7,200	*7,200	*7,200	
0 ft	Stabilizers Raised				14,200	14,000	9,600	9,400	9,300	6,500	6,900	6,900	4,800	6,800	6,700	4,700	25.36
	Stabilizers Lowered				*21,700	*21,700	*21,700	*15,700	*15,700	15,400	*10,700	*10,700	*10,700	*8,000	*8,000	*8,000	
-5 ft	Stabilizers Raised	*21,200	*21,200	17,200	14,000	13,900	9,500	9,300	9,200	6,400				7,500	7,400	5,200	23.56
	Stabilizers Lowered	*21,200	*21,200	*21,200	*20,000	*20,000	*20,000	*14,600	*14,600	*14,600				*9,600	*9,600	*9,600	
-10 ft	Stabilizers Raised				14,200	14,100	9,600	9,500	9,400	6,600				9,300	9,200	6,500	20.34
	Stabilizers Lowered				*16,100	*16,100	*16,100	*10,800	*10,800	*10,800				*10,200	*10,200	*10,200	

*Limited by hydraulic rather than tipping load.

Lift capacity ratings are based on ISO 10567:2007, they do not exceed 87% of hydraulic lifting capacity or 75% of tipping load. The load point is the center line of the bucket pivot mounting pin on the stick. The oscillating axle must be locked. Lifting capacities are based on the machine standing on a firm uniform supporting surface. For lifting capacity including bucket and/or quick coupler, the respective weight has to be subtracted from above values. The use of a work tool attachment point to handle/lift objects, could affect the machine lift performance. Lift capacity is calculated with VA cylinder completely extracted.

Always refer to the appropriate Operation and Maintenance Manual for specific product information.

MH3022 Material Handler Specifications

Lift Capacities

All values are in kg, work tool: none, hydraulic cab riser, solid tires, bucket cylinder and bucket linkage installed, with counterweight (3700 kg), heavy lift on.



Undercarriage
2.55 m (MH)

Boom
5.26 m (VA)

Stick
2.9 m (Straight)

Load point height	Undercarriage configuration	3000 mm			4500 mm			6000 mm			7500 mm			Load at maximum reach (stick nose/bucket pin)			mm		
		Load over front	Load over rear	Load over side	Load over front	Load over rear	Load over side	Load over front	Load over rear	Load over side	Load over front	Load over rear	Load over side	Load over front	Load over rear	Load over side			
7500 mm	Stabilizers Raised																*3100	*3100	*3100
	Stabilizers Lowered																*3100	*3100	*3100
6000 mm	Stabilizers Raised							*4650	*4650	3800							*2750	*2750	2750
	Stabilizers Lowered							*4650	*4650	*4650							*2750	*2750	*2750
4500 mm	Stabilizers Raised				*6150	*6150	5750	*4750	*4750	3650		3500	3500	2500			*2650	*2650	2300
	Stabilizers Lowered				*6150	*6150	*6150	*4750	*4750	*4750	*3950	*3950	*3950	*2650	*2650	*2650	*2650	*2650	*2650
3000 mm	Stabilizers Raised				*6900	*6900	5250	4850	4800	3450	3450	3400	2450				*2650	*2650	2050
	Stabilizers Lowered				*6900	*6900	*6900	*5050	*5050	*5050	*4050	*4050	*4050	*2650	*2650	*2650	*2650	*2650	*2650
1500 mm	Stabilizers Raised				6900	6850	4750	4600	4550	3200	3300	3300	2350				*2750	*2750	1950
	Stabilizers Lowered				*8250	*8250	*8250	*5500	*5500	*5500	*4250	*4250	*4250	*2750	*2750	*2750	*2750	*2750	*2750
0 mm	Stabilizers Raised				6600	6550	4450	4400	4350	3050	3250	3200	2250				2850	2850	2000
	Stabilizers Lowered				*9800	*9800	*9800	*6050	*6050	*6050	*4500	*4500	*4500	*3050	*3050	*3050	*3050	*3050	*3050
-1500 mm	Stabilizers Raised	*8400	*8400	7900	6500	6450	4350	4300	4250	2950	3200	3150	2200				3100	3100	2150
	Stabilizers Lowered	*8400	*8400	*8400	*9450	*9450	*9450	*6650	*6650	*6650	*4850	*4850	*4850	*3500	*3500	*3500	*3500	*3500	*3500
-3000 mm	Stabilizers Raised	*10 600	*10 600	8100	6550	6500	4400	4350	4300	3000							3700	3700	2600
	Stabilizers Lowered	*10 600	*10 600	*10 600	*7850	*7850	*7850	*5700	*5700	*5700							*4350	*4350	*4350

Lift Capacities

All values are in lb, work tool: none, hydraulic cab riser, solid tires, bucket cylinder and bucket linkage installed, with counterweight (8,160 lb), heavy lift on.



Undercarriage
8'4" (MH)

Boom
17'3" (VA)

Stick
9'6" (Straight)

Load point height	Undercarriage configuration	10 ft			15 ft			20 ft			25 ft			Load at maximum reach (stick nose/bucket pin)			ft		
		Load over front	Load over rear	Load over side	Load over front	Load over rear	Load over side	Load over front	Load over rear	Load over side	Load over front	Load over rear	Load over side	Load over front	Load over rear	Load over side			
25 ft	Stabilizers Raised																*6,800	*6,800	*6,800
	Stabilizers Lowered																*6,800	*6,800	*6,800
20 ft	Stabilizers Raised							*10,800	*10,800	8,100							*6,000	*6,000	*6,000
	Stabilizers Lowered							*10,800	*10,800	*10,800							*6,000	*6,000	*6,000
15 ft	Stabilizers Raised				*13,400	*13,400	12,400	10,900	10,800	7,800	7,500	7,400	5,300				*5,700	*5,700	5,000
	Stabilizers Lowered				*13,400	*13,400	*13,400	*12,300	*12,300	*12,300	*7,900	*7,900	*7,900	*5,700	*5,700	*5,700	*5,700	*5,700	*5,700
10 ft	Stabilizers Raised				16,100	15,900	11,300	10,400	10,300	7,400	7,300	7,200	5,200				*5,700	*5,700	4,500
	Stabilizers Lowered				*17,600	*17,600	*17,600	*13,700	*13,700	*13,700	*11,300	*11,300	*11,300	*5,700	*5,700	*5,700	*5,700	*5,700	*5,700
5 ft	Stabilizers Raised				14,900	14,800	10,200	9,800	9,700	6,900	7,100	7,000	4,900				*6,000	*6,000	4,300
	Stabilizers Lowered				*20,500	*20,500	*20,500	*15,000	*15,000	*15,000	*12,100	*12,100	11,200	*6,000	*6,000	*6,000	*6,000	*6,000	*6,000
0 ft	Stabilizers Raised				14,200	14,000	9,600	9,400	9,300	6,500	6,900	6,800	4,800				6,300	6,200	4,300
	Stabilizers Lowered				*21,600	*21,600	*21,600	*15,600	*15,600	15,400	*12,100	*12,100	11,000	*6,600	*6,600	*6,600	*6,600	*6,600	*6,600
-5 ft	Stabilizers Raised	*19,800	*19,800	17,000	13,900	13,800	9,400	9,200	9,100	6,300							6,900	6,800	4,700
	Stabilizers Lowered	*19,800	*19,800	*19,800	*20,600	*20,600	*20,600	*15,000	*15,000	*15,000							*7,800	*7,800	*7,800
-10 ft	Stabilizers Raised	*23,900	*23,900	17,300	14,100	13,900	9,500	9,300	9,200	6,400							8,300	8,200	5,700
	Stabilizers Lowered	*23,900	*23,900	*23,900	*17,300	*17,300	*17,300	*12,300	*12,300	*12,300							*10,000	*10,000	*10,000

*Limited by hydraulic rather than tipping load.

Lift capacity ratings are based on ISO 10567:2007, they do not exceed 87% of hydraulic lifting capacity or 75% of tipping load. The load point is the center line of the bucket pivot mounting pin on the stick. The oscillating axle must be locked. Lifting capacities are based on the machine standing on a firm uniform supporting surface. For lifting capacity including bucket and/or quick coupler, the respective weight has to be subtracted from above values. The use of a work tool attachment point to handle/lift objects, could affect the machine lift performance. Lift capacity is calculated with VA cylinder completely extracted.

Always refer to the appropriate Operation and Maintenance Manual for specific product information.

MH3022 Material Handler Specifications

Lift Capacities

All values are in kg, work tool: none, hydraulic cab riser, solid tires, bucket cylinder and bucket linkage installed, with counterweight (3700 kg), heavy lift on.

 Load point height
  Load over front
  Load over rear
  Load over side
  Load at maximum reach (stick nose/bucket pin)

Undercarriage
2.55 m (MH)


Boom
5.65 m (One-piece)

Stick
2.5 m (Straight)

Load point height	Undercarriage configuration	3000 mm			4500 mm			6000 mm			7500 mm			Load at maximum reach (stick nose/bucket pin)			mm	
		Load over front	Load over rear	Load over side	Load over front	Load over rear	Load over side	Load over front	Load over rear	Load over side	Load over front	Load over rear	Load over side	Load over front	Load over rear	Load over side		
7500 mm	Stabilizers Raised															*4200	*4200	3850
	Stabilizers Lowered															*4200	*4200	*4200
6000 mm	Stabilizers Raised							5100	5050	3750						*3800	*3800	2800
	Stabilizers Lowered							*5650	*5650	*5650						*3800	*3800	*3800
4500 mm	Stabilizers Raised				*7400	*7400	5500	4950	4900	3600	3450	3450	2500	3250	3200	2300	2300	2300
	Stabilizers Lowered				*7400	*7400	*7400	*6050	*6050	*6050	*5300	*5300	*5300	*3700	*3700	*3700	*3700	*3700
3000 mm	Stabilizers Raised				7150	7100	5000	4700	4650	3350	3400	3350	2400	2950	2900	2100	2100	2100
	Stabilizers Lowered				*8900	*8900	*8900	*6650	*6650	*6650	*5500	*5500	5250	*3750	*3750	*3750	*3750	*3750
1500 mm	Stabilizers Raised				6650	6600	4550	4500	4450	3150	3250	3250	2300	2850	2800	2000	2000	2000
	Stabilizers Lowered				*9950	*9950	*9950	*7150	*7150	*7150	*5700	*5700	5150	*4000	*4000	*4000	*4000	*4000
0 mm	Stabilizers Raised				6450	6400	4350	4350	4300	3000	3200	3150	2250	2900	2850	2000	2000	2000
	Stabilizers Lowered				*9950	*9950	*9950	*7300	*7300	7050	*5600	*5600	5050	*4450	*4450	*4450	*4450	*4450
-1500 mm	Stabilizers Raised	*8700	*8700	7950	6450	6350	4350	4250	4250	2950	3200	3150	2200	3150	3100	2200	2200	2200
	Stabilizers Lowered	*8700	*8700	*8700	*9100	*9100	*9100	*6850	*6850	*6850	*5000	*5000	*5000	*4900	*4900	*4900	*4900	*4900
-3000 mm	Stabilizers Raised	*9500	*9500	8100	6500	6450	4400	4350	4300	3000						3750	3750	2650
	Stabilizers Lowered	*9500	*9500	*9500	*7500	*7500	*7500	*5600	*5600	*5600						*4550	*4550	*4550

Lift Capacities

All values are in lb, work tool: none, hydraulic cab riser, solid tires, bucket cylinder and bucket linkage installed, with counterweight (8,160 lb), heavy lift on.

 Load point height
  Load over front
  Load over rear
  Load over side
  Load at maximum reach (stick nose/bucket pin)

Undercarriage
8'4" (MH)

Boom
18'6" (One-piece)

Stick
8'2" (Straight)

Load point height	Undercarriage configuration	10 ft			15 ft			20 ft			25 ft			Load at maximum reach (stick nose/bucket pin)			ft	
		Load over front	Load over rear	Load over side	Load over front	Load over rear	Load over side	Load over front	Load over rear	Load over side	Load over front	Load over rear	Load over side	Load over front	Load over rear	Load over side		
25 ft	Stabilizers Raised															*9,200	*9,200	8,700
	Stabilizers Lowered															*9,200	*9,200	*9,200
20 ft	Stabilizers Raised							10,900	10,800	7,900						*8,300	*8,300	6,200
	Stabilizers Lowered							*12,200	*12,200	*12,200						*8,300	*8,300	*8,300
15 ft	Stabilizers Raised				*15,900	*15,900	11,800	10,600	10,500	7,600	7,400	7,300	5,200	7,100	7,000	5,000	5,000	5,000
	Stabilizers Lowered				*15,900	*15,900	*15,900	*13,000	*13,000	*13,000	*10,300	*10,300	*10,300	*8,000	*8,000	*8,000	*8,000	*8,000
10 ft	Stabilizers Raised				15,400	15,200	10,700	10,100	10,000	7,200	7,200	7,100	5,100	6,400	6,300	4,500	4,500	4,500
	Stabilizers Lowered				*19,100	*19,100	*19,100	*14,300	*14,300	*14,300	*11,900	*11,900	11,200	*8,200	*8,200	*8,200	*8,200	*8,200
5 ft	Stabilizers Raised				14,300	14,200	9,800	9,600	9,500	6,700	7,000	6,900	4,900	6,100	6,100	4,300	4,300	4,300
	Stabilizers Lowered				*21,400	*21,400	*21,400	*15,400	*15,400	*15,400	*12,200	*12,200	11,000	*8,700	*8,700	*8,700	*8,700	*8,700
0 ft	Stabilizers Raised				13,800	13,700	9,300	9,200	9,100	6,400	6,800	6,700	4,700	6,300	6,200	4,300	4,300	4,300
	Stabilizers Lowered				*21,400	*21,400	*21,400	*15,600	*15,600	15,000	*12,000	*12,000	10,800	*9,700	*9,700	*9,700	*9,700	*9,700
-5 ft	Stabilizers Raised	*19,700	*19,700	17,000	13,700	13,600	9,300	9,100	9,000	6,300				6,800	6,800	4,700	4,700	4,700
	Stabilizers Lowered	*19,700	*19,700	*19,700	*19,700	*19,700	*19,700	*14,700	*14,700	*14,700				*10,700	*10,700	*10,700	*10,700	*10,700
-10 ft	Stabilizers Raised	*20,500	*20,500	17,400	13,900	13,800	9,400	9,300	9,200	6,400				8,300	8,200	5,800	5,800	5,800
	Stabilizers Lowered	*20,500	*20,500	*20,500	*16,100	*16,100	*16,100	*11,800	*11,800	*11,800				*9,900	*9,900	*9,900	*9,900	*9,900

*Limited by hydraulic rather than tipping load.

Lift capacity ratings are based on ISO 10567:2007, they do not exceed 87% of hydraulic lifting capacity or 75% of tipping load. The load point is the center line of the bucket pivot mounting pin on the stick. The oscillating axle must be locked. Lifting capacities are based on the machine standing on a firm uniform supporting surface. For lifting capacity including bucket and/or quick coupler, the respective weight has to be subtracted from above values. The use of a work tool attachment point to handle/lift objects, could affect the machine lift performance.

Always refer to the appropriate Operation and Maintenance Manual for specific product information.

MH3022 Material Handler Specifications

Lift Capacities

All values are in kg, work tool: none, hydraulic cab riser, solid tires, bucket cylinder and bucket linkage installed, with counterweight (3700 kg), heavy lift on.

 Load point height
  Load over front
  Load over rear
  Load over side
  Load at maximum reach (stick nose/bucket pin)

Undercarriage

2.55 m (MH)

Boom

5.65 m (One-piece)

Stick

2.9 m (Straight)

Load point height	Undercarriage configuration	3000 mm			4500 mm			6000 mm			7500 mm			mm		
		Load over front	Load over rear	Load over side	Load over front	Load over rear	Load over side	Load over front	Load over rear	Load over side	Load over front	Load over rear	Load over side			
7500 mm	Stabilizers Raised							*4650	*4650	3800				*3500	*3500	3400
	Stabilizers Lowered							*4650	*4650	*4650				*3500	*3500	*3500
6000 mm	Stabilizers Raised							5150	5100	3800	*3250	*3250	2550	*3200	*3200	2550
	Stabilizers Lowered							*5300	*5300	*5300	*3250	*3250	*3250	*3200	*3200	*3200
4500 mm	Stabilizers Raised							5000	4950	3650	3500	3450	2500	3000	2950	2150
	Stabilizers Lowered							*5750	*5750	*5750	*5100	*5100	*5100	*3100	*3100	*3100
3000 mm	Stabilizers Raised				7250	7200	5100	4750	4700	3400	3400	3350	2400	2750	2700	1950
	Stabilizers Lowered				*8450	*8450	*8450	*6400	*6400	*6400	*5350	*5350	5300	*3150	*3150	*3150
1500 mm	Stabilizers Raised				6750	6650	4600	4500	4450	3150	3250	3250	2300	2650	2600	1850
	Stabilizers Lowered				*9700	*9700	*9700	*7000	*7000	*7000	*5600	*5600	5150	*3350	*3350	*3350
0 mm	Stabilizers Raised				6450	6400	4350	4300	4250	3000	3150	3150	2200	2700	2650	1850
	Stabilizers Lowered				*10 000	*10 000	*10 000	*7250	*7250	7000	*5650	*5650	5050	*3650	*3650	*3650
-1500 mm	Stabilizers Raised	*8300	*8300	7800	6350	6300	4300	4250	4200	2900	3150	3100	2150	2900	2850	2000
	Stabilizers Lowered	*8300	*8300	*8300	*9400	*9400	*9400	*6950	*6950	6950	*5250	*5250	5000	*4300	*4300	*4300
-3000 mm	Stabilizers Raised	*10 650	*10 650	7950	6450	6350	4350	4250	4200	2950				3400	3350	2350
	Stabilizers Lowered	*10 650	*10 650	*10 650	*8050	*8050	*8050	*6000	*6000	*6000				*4450	*4450	*4450

Lift Capacities

All values are in lb, work tool: none, hydraulic cab riser, solid tires, bucket cylinder and bucket linkage installed, with counterweight (8,160 lb), heavy lift on.

 Load point height
  Load over front
  Load over rear
  Load over side
  Load at maximum reach (stick nose/bucket pin)

Undercarriage

8'4" (MH)

Boom

18'6" (One-piece)

Stick

9'6" (Straight)

Load point height	Undercarriage configuration	10 ft			15 ft			20 ft			25 ft			ft		
		Load over front	Load over rear	Load over side	Load over front	Load over rear	Load over side	Load over front	Load over rear	Load over side	Load over front	Load over rear	Load over side			
25 ft	Stabilizers Raised							*9,000	*9,000	8,000				*7,600	*7,600	7,600
	Stabilizers Lowered							*9,000	*9,000	*9,000				*7,600	*7,600	*7,600
20 ft	Stabilizers Raised							11,000	10,900	8,000				*6,900	*6,900	5,600
	Stabilizers Lowered							*11,500	*11,500	*11,500				*6,900	*6,900	*6,900
15 ft	Stabilizers Raised							10,700	10,600	7,700	7,400	7,400	5,300	6,600	6,500	4,600
	Stabilizers Lowered							*12,300	*12,300	*12,300	*11,000	*11,000	*11,000	*6,700	*6,700	*6,700
10 ft	Stabilizers Raised				15,600	15,500	10,900	10,200	10,100	7,200	7,200	7,100	5,100	6,000	5,900	4,200
	Stabilizers Lowered				*18,100	*18,100	*18,100	*13,800	*13,800	*13,800	*11,500	*11,500	11,300	*6,800	*6,800	*6,800
5 ft	Stabilizers Raised				14,400	14,300	9,900	9,600	9,500	6,700	7,000	6,900	4,900	5,700	5,700	4,000
	Stabilizers Lowered				*20,900	*20,900	*20,900	*15,000	*15,000	*15,000	*12,000	*12,000	11,000	*7,200	*7,200	*7,200
0 ft	Stabilizers Raised				13,800	13,700	9,300	9,200	9,100	6,400	6,700	6,700	4,700	5,800	5,700	4,000
	Stabilizers Lowered				*21,500	*21,500	*21,500	*15,600	*15,600	15,000	*12,100	*12,100	10,800	*8,000	*8,000	*8,000
-5 ft	Stabilizers Raised	*18,800	*18,800	16,700	13,600	13,500	9,200	9,000	8,900	6,200	6,700	6,600	4,600	6,300	6,200	4,300
	Stabilizers Lowered	*18,800	*18,800	*18,800	*20,300	*20,300	*20,300	*15,000	*15,000	14,800	*11,200	*11,200	10,700	*9,400	*9,400	*9,400
-10 ft	Stabilizers Raised	*23,000	*23,000	17,000	13,800	13,600	9,300	9,100	9,000	6,200				7,400	7,400	5,100
	Stabilizers Lowered	*23,000	*23,000	*23,000	*17,200	*17,200	*17,200	*12,700	*12,700	*12,700				*9,700	*9,700	*9,700

*Limited by hydraulic rather than tipping load.

Lift capacity ratings are based on ISO 10567:2007, they do not exceed 87% of hydraulic lifting capacity or 75% of tipping load. The load point is the center line of the bucket pivot mounting pin on the stick. The oscillating axle must be locked. Lifting capacities are based on the machine standing on a firm uniform supporting surface. For lifting capacity including bucket and/or quick coupler, the respective weight has to be subtracted from above values. The use of a work tool attachment point to handle/lift objects, could affect the machine lift performance.

Always refer to the appropriate Operation and Maintenance Manual for specific product information.

MH3022 Material Handler Specifications

Attachments Offering Guide – Europe

Not all Attachments are available in all regions. Consult your Cat dealer for configurations available in your region.

Match

PIN-ON ATTACHMENTS

Undercarriage		2.55 m (8'4") MH					
Counterweight		3.7 mt (8,160 lb)					
Boom Type		VA		1 PC		5.35 m (17'7") MH	6.40 m (21'0") MH
Stick Length		2.50 m (8'2")	2.90 m (9'6")	2.50 m (8'2")	2.90 m (9'6")	4.30 m (14'1")	4.30 m (14'1")
Hydraulic Hammers	H115 S	✓	✓	✓	✓		
	H120 GC S	✓	✓	✓	✓		
	H120 S	✓	✓	✓	✓		
	H130 S	✓	✓	✓	✓		
Multi-Processors	MP318 Concrete Cutter Jaw	✓		✓	✓		
	MP318 Demolition Jaw	✓		✓	✓		
	MP318 Pulverizer Jaw	✓		✓	✓		
	MP318 Shear Jaw	✓		✓	✓	✓	✓
	MP318 Universal Jaw	✓		✓	✓		
Demolition and Sorting Grapples	G317 GC	✓	✓	✓	✓	✓	✓
	G318	✓		✓	✓	✓	✓
	G318 WH-800	✓	✓	✓	✓	✓	✓
	G318 WH-1100	✓		✓	✓	✓	✓
Mobile Scrap and Demolition Shears	S3025			✓	✓	✓	✓
	S3025 Flat Top			✓			
Pulverizers	P218 Secondary Pulverizer	✓		✓	✓		
	P318 Primary Pulverizer	✓		✓	✓		
Compactors (Vibratory Plate)	CVP110	✓	✓	✓	✓		

(continued on next page)

MH3022 Material Handler Specifications

Attachments Offering Guide – Europe (continued)

Not all Attachments are available in all regions. Consult your Cat dealer for configurations available in your region.

No Match

1800 kg/m³ (3,000 lb/yd³)

1200 kg/m³ (2,000 lb/yd³)

PIN-ON ATTACHMENTS (continued)

Undercarriage						
Counterweight						
Boom Type		MH (5.35 m)		MH (6.40 m)		
Stick Length		4.00 m (13'1")	4.50 m (14'9")	4.00 m (13'1")	4.50 m (14'9")	5.0 m (16'5")
Orange Peel Grapples	GSH420-500	●	●	●	●	●
	GSH420-600	●	●	●	●	●
	GSH420-750	●	●	●	●	●
	GSH520-500	●	●	●	●	●
	GSH520-600	●	●	●	●	●
	GSH520-750	●	●	●	●	○
	GSV520-400	●	●	●	●	●
	GSV520-500	●	●	●	●	●
	GSV520-600	●	●	●	●	●
	GSV520-750	●	●	●	●	○
	GSV520 GC-400	●	●	●	●	●
	GSV520 GC-500	●	●	●	●	●
	GSV520 GC-600	●	●	●	●	●
	GSV520 GC-750	●	●	●	●	●
	Hydraulic Transfer Grab	CTV15-1000	●	●	●	●
CTV15-1200		●	●	○	○	

(continued on next page)

MH3022 Material Handler Specifications

Attachments Offering Guide – Europe (continued)

Not all Attachments are available in all regions. Consult your Cat dealer for configurations available in your region.

Match

No Match

CAT PIN GRABBER COUPLER ATTACHMENTS

Undercarriage		2.55 m (8'4") MH					
Counterweight		3.7 mt (8,160 lb)					
Boom Type		VA		1 PC		5.35 m (17'7") MH	6.40 m (21'0") MH
Stick Length		2.50 m (8'2")	2.90 m (9'6")	2.50 m (8'2")	2.90 m (9'6")	4.30 m (14'1")	4.30 m (14'1")
Hydraulic Hammers	H115 S	✓	✓	✓	✓		
	H120 GC S	✓		✓	✓		
	H120 S	✓	✓	✓	✓		
	H130 S	✓		✓	✓		
Multi-Processors	MP318 Concrete Cutter Jaw			✓			
	MP318 Demolition Jaw			✓			
	MP318 Pulverizer Jaw			✓			
	MP318 Shear Jaw			✓		✓	✓
	MP318 Universal Jaw			✓			
Demolition and Sorting Grapples	G317 GC	✓		✓	✓	✓	✓
	G318			✓		✓	✓
	G318 WH-800			✓		✓	✓
	G318 WH-1100					✓	✓
Pulverizers	P318 Primary Pulverizer			✓			
Compactors (Vibratory Plate)	CVP110	✓	✓	✓	✓		

(continued on next page)

MH3022 Material Handler Specifications

Attachments Offering Guide – Europe *(continued)*

Not all Attachments are available in all regions. Consult your Cat dealer for configurations available in your region.

Match

No Match

CW-40S DEDICATED COUPLER ATTACHMENTS

Undercarriage		2.55 m (8'4") MH					
Counterweight		3.7 mt (8,160 lb)					
Boom Type		VA		1 PC		5.35 m (17'7") MH	6.40 m (21'0") MH
Stick Length		2.50 m (8'2")	2.90 m (9'6")	2.50 m (8'2")	2.90 m (9'6")	4.30 m (14'1")	4.30 m (14'1")
Hydraulic Hammers	H115 S	✓	✓	✓	✓		
	H120 GC S	✓	✓	✓	✓		
	H120 S	✓	✓	✓	✓		
	H130 S	✓		✓	✓		
Multi-Processors	MP318 Concrete Cutter Jaw			✓	✓		
	MP318 Demolition Jaw			✓	✓		
	MP318 Pulverizer Jaw			✓			
	MP318 Shear Jaw	✓		✓	✓	✓	✓
	MP318 Universal Jaw			✓	✓		
Demolition and Sorting Grapples	G317 GC	✓	✓	✓	✓	✓	✓
	G318	✓		✓	✓	✓	✓
	G318 WH-800	✓		✓	✓	✓	✓
	G318 WH-1100			✓		✓	✓
Pulverizers	P218 Secondary Pulverizer			✓			
	P318 Primary Pulverizer			✓			
Compactors (Vibratory Plate)	CVP110	✓	✓	✓	✓		

(continued on next page)

MH3022 Material Handler Specifications

Attachments Offering Guide – Europe (continued)

Not all Attachments are available in all regions. Consult your Cat dealer for configurations available in your region.

Match

No Match

CW-40 DEDICATED COUPLER ATTACHMENTS

Undercarriage		2.55 m (8'4") MH					
Counterweight		3.7 mt (8,160 lb)					
Boom Type		VA		1 PC		5.35 m (17'7") MH	6.40 m (21'0") MH
Stick Length		2.50 m (8'2")	2.90 m (9'6")	2.50 m (8'2")	2.90 m (9'6")	4.30 m (14'1")	4.30 m (14'1")
Hydraulic Hammers	H115 S	✓	✓	✓	✓		
	H120 GC S	✓	✓	✓	✓		
	H120 S	✓	✓	✓	✓		
	H130 S	✓		✓	✓		
Multi-Processors	MP318 Concrete Cutter Jaw			✓	✓		
	MP318 Demolition Jaw	✓		✓	✓		
	MP318 Pulverizer Jaw			✓			
	MP318 Shear Jaw	✓		✓	✓	✓	✓
	MP318 Universal Jaw			✓	✓		
Demolition and Sorting Grapples	G317 GC	✓		✓	✓	✓	✓
	G317 GC Fixed CAN	✓	✓	✓	✓	✓	✓
	G318	✓		✓	✓	✓	✓
	G318 Fixed CAN	✓		✓	✓	✓	✓
	G318 WH-800	✓		✓	✓	✓	✓
	G318 WH-1100			✓		✓	✓
Pulverizers	P218 Secondary Pulverizer			✓			
	P318 Primary Pulverizer			✓			
Compactors (Vibratory Plate)	CVP110	✓	✓	✓	✓		

(continued on next page)

MH3022 Material Handler Specifications

Attachments Offering Guide – Europe (continued)

Not all Attachments are available in all regions. Consult your Cat dealer for configurations available in your region.

Match

No Match

S70 DEDICATED COUPLER

Undercarriage		2.55 m (8'4") MH					
Counterweight		3.7 mt (8,160 lb)					
Boom Type		VA		1 PC		5.35 m (17'7") MH	6.40 m (21'0") MH
Stick Length		2.50 m (8'2")	2.90 m (9'6")	2.50 m (8'2")	2.90 m (9'6")	4.30 m (14'1")	4.30 m (14'1")
Hydraulic Hammers	H115 S	✓	✓	✓	✓		
	H120 GC S	✓		✓	✓		
	H120 S	✓	✓	✓	✓		
	H130 S	✓		✓	✓		
Multi-Processors	MP318 Concrete Cutter Jaw			✓			
	MP318 Demolition Jaw			✓			
	MP318 Pulverizer Jaw			✓			
	MP318 Shear Jaw			✓	✓	✓	✓
	MP318 Universal Jaw			✓			
Demolition and Sorting Grapples	G317 GC	✓		✓	✓	✓	✓
	G318			✓	✓	✓	✓
	G318 WH-800	✓		✓	✓	✓	✓
	G318 WH-1100			✓		✓	✓
Pulverizers	P218 Secondary Pulverizer			✓			
	P318 Primary Pulverizer			✓			
Compactors (Vibratory Plate)	CVP110	✓	✓	✓	✓		

(continued on next page)

MH3022 Material Handler Specifications

Attachments Offering Guide – Europe (continued)

Not all Attachments are available in all regions. Consult your Cat dealer for configurations available in your region.

Match

* Working range front only

No Match

HCS70 DEDICATED COUPLER ATTACHMENTS

Undercarriage		2.55 m (8'4") MH					
Counterweight		3.7 mt (8,160 lb)					
Boom Type		VA		1 PC		5.35 m (17'7") MH	6.40 m (21'0") MH
Stick Length		2.50 m (8'2")	2.90 m (9'6")	2.50 m (8'2")	2.90 m (9'6")	4.30 m (14'1")	4.30 m (14'1")
Hydraulic Hammers	H115 S	✓	✓	✓	✓		
	H120 S	✓	✓	✓	✓		
	H130 S	✓		✓	✓		
Multi-Processors	MP318 Concrete Cutter Jaw			✓			
	MP318 Demolition Jaw			✓			
	MP318 Pulverizer Jaw			✓			
	MP318 Shear Jaw			✓		✓	✓
	MP318 Universal Jaw			✓			
Demolition and Sorting Grapples	G317 GC	✓		✓	✓	✓	✓
	G318			✓		✓	✓
	G318 WH-800			✓		✓	✓
	G318 WH-1100					✓	✓
Pulverizers	P318 Primary Pulverizer			✓			
Compactors (Vibratory Plate)	CVP110	✓	✓	✓	✓		

HCS70/55 DEDICATED COUPLER ATTACHMENTS

Undercarriage		2.55 m (8'4") MH					
Counterweight		3.7 mt (8,160 lb)					
Boom Type		VA		1 PC		5.35 m (17'7") MH	6.40 m (21'0") MH
Stick Length		2.50 m (8'2")	2.90 m (9'6")	2.50 m (8'2")	2.90 m (9'6")	4.30 m (14'1")	4.30 m (14'1")
Hydraulic Hammers	H115 S	✓	✓	✓	✓		
	H120 S	✓	✓	✓	✓		
	H130 S			✓	✓		
Multi-Processors	MP318 Concrete Cutter Jaw			✓			
	MP318 Demolition Jaw			✓			
	MP318 Shear Jaw			✓		✓	✓
	MP318 Universal Jaw			✓			
Demolition and Sorting Grapples	G317 GC			✓	✓	✓	✓
	G318			✓		✓	✓
	G318 WH-800			✓		✓	✓
	G318 WH-1100					✓	✓*
Compactors (Vibratory Plate)	CVP110	✓	✓	✓	✓		

MH3022 Material Handler Specifications

Attachments Offering Guide – North America

Not all Attachments are available in all regions. Consult your Cat dealer for configurations available in your region.

Match

No Match

PIN-ON ATTACHMENTS

Undercarriage		2.55 m (8'4") MH					
Counterweight		3.7 mt (8,160 lb)					
Boom Type		VA		1 PC		5.35 m (17'7") MH	6.40 m (21'0") MH
Stick Length		2.50 m (8'2")	2.90 m (9'6")	2.50 m (8'2")	2.90 m (9'6")	4.30 m (14'1")	4.30 m (14'1")
Hydraulic Hammers	H115 S	✓	✓	✓	✓		
	H120 GC	✓	✓	✓	✓		
	H120 GC S	✓	✓	✓	✓		
	H120 S	✓	✓	✓	✓		
	H130 S	✓	✓	✓	✓		
Multi-Processors	MP318 Concrete Cutter Jaw			✓	✓		
	MP318 Demolition Jaw	✓		✓	✓		
	MP318 Pulverizer Jaw	✓		✓	✓		
	MP318 Shear Jaw	✓		✓	✓	✓	✓
	MP318 Universal Jaw	✓		✓	✓		
Demolition and Sorting Grapples	G318	✓		✓	✓	✓	✓
	G318 WH-800	✓	✓	✓	✓	✓	✓
	G318 WH-1100	✓		✓	✓	✓	✓
Mobile Scrap and Demolition Shears	S3025			✓	✓	✓	✓
	S3025 Flat Top			✓			
Pulverizers	P218 Secondary Pulverizer	✓		✓	✓		
	P318 Primary Pulverizer	✓		✓	✓		
Compactors (Vibratory Plate)	CVP110	✓	✓	✓	✓		
Mulchers	HM4015 Bite Limiter	✓	✓	✓	✓	✓	✓

(continued on next page)

MH3022 Material Handler Specifications

Attachments Offering Guide – North America

Not all Attachments are available in all regions. Consult your Cat dealer for configurations available in your region.

Match
 No Match
 1800 kg/m³ (3,000 lb/yd³)
 1200 kg/m³ (2,000 lb/yd³)

PIN-ON ATTACHMENTS

Undercarriage		2.55 m (8'4") MH				
Counterweight		3.7 mt (8,160 lb)				
Boom Type		5.35 m (17'7") MH			6.40 m (21'0") MH	
Stick Length		4.00 m (13'1")	4.50 m (14'9")	4.00 m (13'1")	4.50 m (14'9")	5.0 m (16'5")
Orange Peel Grapples	GSH420-500 L (0.65 yd ³)	●	●	●	●	●
	GSH420-600 L (0.75 yd ³)	●	●	●	●	●
	GSH420-750 L (1.0 yd ³)	●	●	●	●	○
	GSH520-500 L (0.65 yd ³)	●	●	●	●	●
	GSH520-600 L (0.75 yd ³)	●	●	●	●	●
	GSH520-750 L (1.0 yd ³)	●	●	●	●	○

(continued on next page)

MH3022 Material Handler Specifications

Attachments Offering Guide – North America *(continued)*

Not all Attachments are available in all regions. Consult your Cat dealer for configurations available in your region.

Match

No Match

CAT PIN GRABBER COUPLER ATTACHMENTS

Undercarriage		2.55 m (8'4") MH					
Counterweight		3.7 mt (8,160 lb)					
Boom Type		VA		1 PC		5.35 m (17'7") MH	6.40 m (21'0") MH
Stick Length		2.50 m (8'2")	2.90 m (9'6")	2.50 m (8'2")	2.90 m (9'6")	4.30 m (14'1")	4.30 m (14'1")
Hydraulic Hammers	H115 S	✓	✓	✓	✓		
	H120 GC	✓		✓	✓		
	H120 GC S	✓		✓	✓		
	H120 S	✓	✓	✓	✓		
	H130 S	✓		✓	✓		
Multi-Processors	MP318 Concrete Cutter Jaw			✓			
	MP318 Demolition Jaw			✓			
	MP318 Pulverizer Jaw			✓			
	MP318 Shear Jaw			✓		✓	✓
	MP318 Universal Jaw			✓			
Demolition and Sorting Grapples	G318			✓		✓	✓
	G318 WH-800			✓		✓	✓
	G318 WH-1100					✓	✓
Pulverizers	P318 Primary Pulverizer			✓			
Compactors (Vibratory Plate)	CVP110	✓	✓	✓	✓		
Mulchers	HM4015 Bite Limiter	✓		✓	✓	✓	✓

MH3022 Material Handler Specifications

Attachments Offering Guide – Australia/New Zealand

Not all Attachments are available in all regions. Consult your Cat dealer for configurations available in your region.

Match

No Match

PIN-ON ATTACHMENTS

Undercarriage		2.55 m (8'4") MH					
Counterweight		3.7 mt (8,160 lb)					
Boom Type		VA		1 PC		5.35 m (17'7") MH	6.40 m (21'0") MH
Stick Length		2.50 m (8'2")	2.90 m (9'6")	2.50 m (8'2")	2.90 m (9'6")	4.30 m (14'1")	4.30 m (14'1")
Hydraulic Hammers	H115 S	✓	✓	✓	✓		
	H120 GC	✓	✓	✓	✓		
	H120 GC S	✓	✓	✓	✓		
	H120 S	✓	✓	✓	✓		
	H130 S	✓	✓	✓	✓		
Demolition and Sorting Grapples	G318	✓		✓	✓	✓	✓
Mobile Scrap and Demolition Shears	S3025			✓	✓	✓	✓
Compactors (Vibratory Plate)	CVP110	✓	✓	✓	✓		

CAT PIN GRABBER COUPLER ATTACHMENTS

Undercarriage		2.55 m (8'4") MH					
Counterweight		3.7 mt (8,160 lb)					
Boom Type		VA		1 PC		5.35 m (17'7") MH	6.40 m (21'0") MH
Stick Length		2.50 m (8'2")	2.90 m (9'6")	2.50 m (8'2")	2.90 m (9'6")	4.30 m (14'1")	4.30 m (14'1")
Hydraulic Hammers	H115 S	✓	✓	✓	✓		
	H120 GC	✓		✓	✓		
	H120 GC S	✓		✓	✓		
	H120 S	✓	✓	✓	✓		
	H130 S	✓		✓	✓		
Demolition and Sorting Grapples	G318			✓		✓	✓
Compactors (Vibratory Plate)	CVP110	✓	✓	✓	✓		

MH3022 Standard and Optional Equipment

Standard and Optional Equipment

Standard and optional equipment may vary. Consult your Cat dealer for details.

	Standard	Optional		Standard	Optional
BOOM, STICKS AND LINKAGES			ENGINE		
5.65 m (18'6") One-Piece boom		✓	Cat C4.4 Turbo diesel engine (compliant with EU Stage V/U.S. EPA Tier 4 Final emission standards)	✓	
5.26 m (17'3") Variable Angle boom		✓	Power mode selector	✓	
2.5 m (8'2") Straight stick		✓	One-touch low idle with automatic engine speed control	✓	
2.9 m (9'6") Straight stick		✓	Automatic engine idle shutdown	✓	
No stick Configuration		✓	Work up to 3000 m (9,842 ft) above sea level without engine power de-rating	✓	
5.35 m (17'7") MH boom		✓	52°C (125°F) high-ambient cooling capacity	✓	
6.4 m (21'0") MH boom		✓	Cold starting capability for -18°C (0°F)	✓	
4.0 m (13'1") Drop Nose MH stick		✓	Double element air filter with integrated precleaner	✓	
4.5 m (14'5") Drop Nose MH stick		✓	Electric fuel priming pump	✓	
5.0 m (16'5") Drop Nose MH stick		✓	On-demand electric cooling fans with auto-reverse function	✓	
4.3 m (14'1") Straight MH stick		✓	HYDRAULICS		
Bucket linkage, B-type with lifting eye		✓	Boom/stick lowering check valves	✓	
CAT TECHNOLOGY			Overload warning	✓	
Cat Product Link™	✓		Electronic main control valve	✓	
2D E-fence	✓		Auto hydraulic oil warm up	✓	
Cab Avoidance	✓		Element type main hydraulic filter	✓	
Remote Flash capability	✓		Two-slider joysticks	✓	
Remote Troubleshoot capability	✓		Advanced Tool Control (one/two way high-pressure flow with drift reduction)		✓
ELECTRICAL			Medium pressure auxiliary circuit (one/two way medium-pressure flow)	✓	
LED lights on boom, stick, and cab	✓		Heavy lift mode	✓	
LED lights on chassis (LH, RH) and counterweight	✓		Quick coupler circuit		✓
Programmable time-delay LED working lights	✓		SmartBoom™	✓	
Roading and indicator lights, front and rear	✓		SmartStick	✓	
Maintenance free batteries	✓		Joystick steering	✓	
Centralized electrical disconnect switch	✓		Steering wheel		✓
Electrical refueling pump		✓	Separate dedicated swing pump	✓	
			Automatic swing brake	✓	
			Cat BIO HYDO Advanced biodegradable hydraulic oil		✓
			Adjustable hydraulic aggressiveness	✓	
			Pattern changer	✓	

(continued on next page)

MH3022 Standard and Optional Equipment

Standard and Optional Equipment *(continued)*

Standard and optional equipment may vary. Consult your Cat dealer for details.

	Standard	Optional		Standard	Optional
SAFETY AND SECURITY			UNDERCARRIAGE AND STRUCTURES		
Rear and right-side-view cameras	✓		All wheel drive	✓	
360° visibility		✓	Automatic brake/axle lock	✓	
Wide angle mirrors	✓		Creep speed	✓	
Heated and remotely adjustable mirrors		✓	Electronic swing and travel lock	✓	
Travel alarm		✓	Heavy-duty axles, advanced disc brake system and travel motor, adjustable braking force	✓	
Signal/warning horn	✓		Oscillating front axle, lockable, with remote greasing point	✓	
Rotating beacon on cab and chassis		✓	10.00-20 16 PR, dual tires		✓
Cat Asset tracker		✓	10.00-20, dual, solid rubber tires		✓
Neutral lever (lock out) for all controls	✓		Steps with tool box in undercarriage (left and right)	✓	
Ground-level accessible secondary engine shutoff switch in cab	✓		Rear and front end steps		✓
Bluetooth® receiver	✓		Two speed hydrostatic transmission	✓	
Anti-skid plate and countersunk bolts on service platform	✓		MH undercarriage 2.55 m (8'4") width	✓	
SERVICE AND MAINTENANCE			Push blade		✓
Sampling ports for Scheduled Oil Sampling (S·O·S SM)	✓		Counterweight 3700 kg (8,160 lb)	✓	
Automatic lubrication system for implement and swing system	✓				

Dealer Installed Kit and Attachments

Attachments may vary. Consult your Cat dealer for details.

CAB

- 75 mm (3") retractable seat belt

SAFETY AND SECURITY

- Bluetooth key fob

GUARDS

- FOGS (not compatible with cab light cover, rain protector)
- Mesh guard full front (not compatible with cab light cover, rain protector)

Cab Options

	Deluxe	Premium
Sound-suppressed cab	●	●
Heated seat with air-adjustable suspension	●	X
Heated and cooled seat with automatic adjustable suspension	X	●
Height-adjustable console, infinite with no tool	●	●
High-resolution 254 mm (10") LCD touchscreen monitor	●	●
Mechanical mirror	●	X
Electrical mirror	X	●
Automatic bi-level air conditioner	●	●
Jog dial and shortcut keys for monitor control	●	●
Keyless push-to-start engine control	●	●
51 mm (2") seat belt	●	●
Unfastened seat belt warning	●	●
Bluetooth integrated radio with USB ports and speakers	●	●
Two 12V DC outlets	●	●
Document storage	●	●
Cup and bottle holders	●	●
Fixed two-piece front window (P8B classified)	○	○
Fixed one-piece front window (P5A classified)	○	○
Parallel wiper with washer	●	●
Fixed glass skylight hatch	●	●
LED dome lights	●	●
Foot Illumination	●	●
Roller rear sunscreen	X	●
Rear window emergency exit	●	●
Washable floor mat	●	●
Beacon ready	●	●
Falling Object Guards (FOGS)	○	○
Advanced Cab Filtration	○	○
Two LED cab lights	●	●
Rain visor*	●	●

● Standard

○ Optional

X Not available

* Not compatible with FOGS

For more complete information on Cat products, dealer services, and industry solutions, visit us on the web at www.cat.com

© 2021 Caterpillar
All rights reserved

Materials and specifications are subject to change without notice. Featured machines in photos may include additional equipment. See your Cat dealer for available options.

CAT, CATERPILLAR, LET'S DO THE WORK, their respective logos, "Caterpillar Corporate Yellow," the "Power Edge" and Cat "Modern Hex" trade dress as well as corporate and product identity used herein, are trademarks of Caterpillar and may not be used without permission.

AEXQ3129-01 (11-2021)
Replaces AEXQ3129
Build Number: 07B
(Aus-NZ, Eur, N Am)

